

SHARP PARTS GUIDE

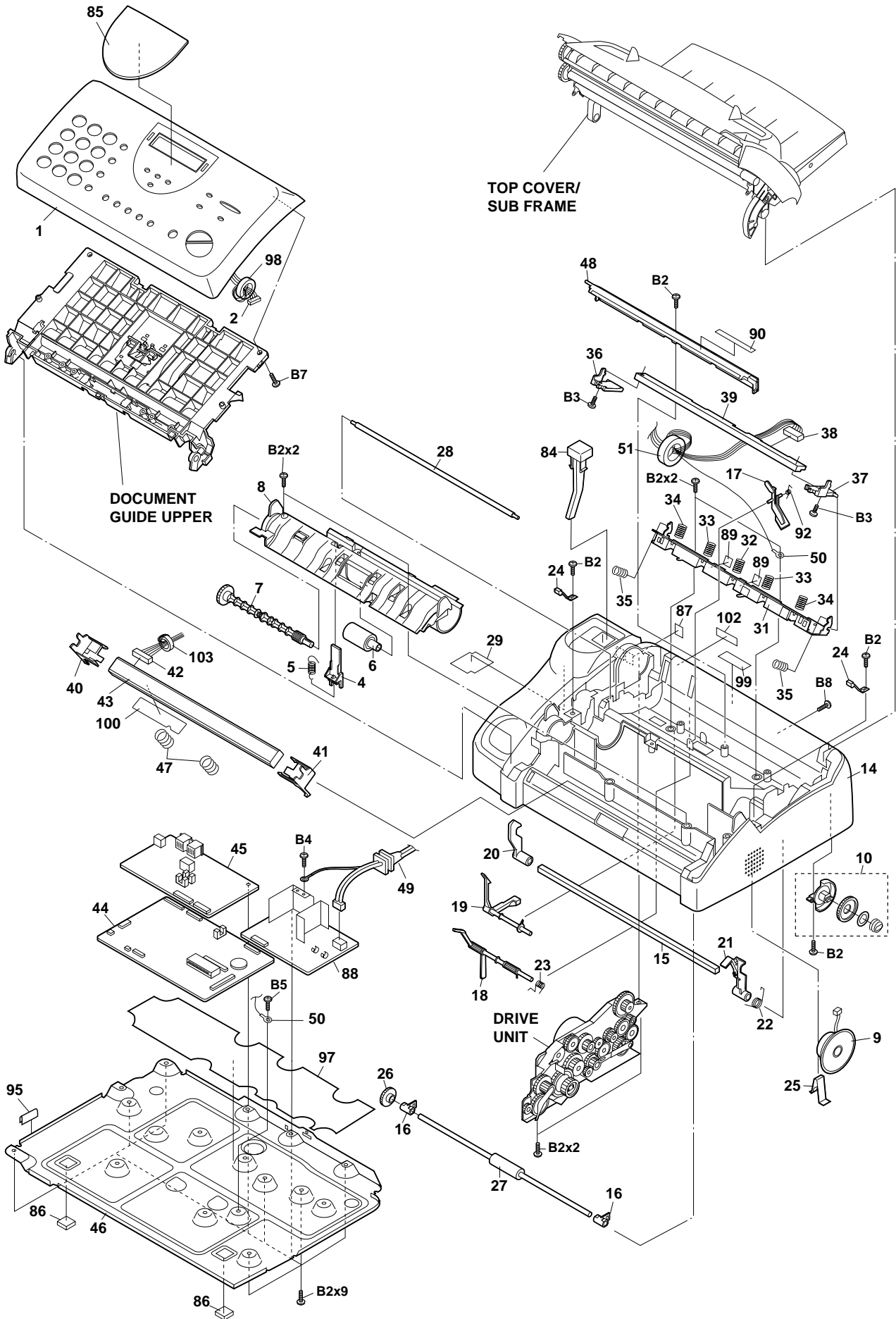
UX-370
UX-310
MODEL FO-730

CONTENTS

- | | |
|---------------------------|----------------------------------|
| 1 Cabinet, etc. | 6 Packing material & Accessories |
| 2 Top cover and sub frame | 7 Control PWB unit |
| 3 Upper cabinet | 8 TEL-Liu PWB unit |
| 4 Document guide upper | 9 Power supply PWB unit |
| 5 Drive unit | ■ Index |

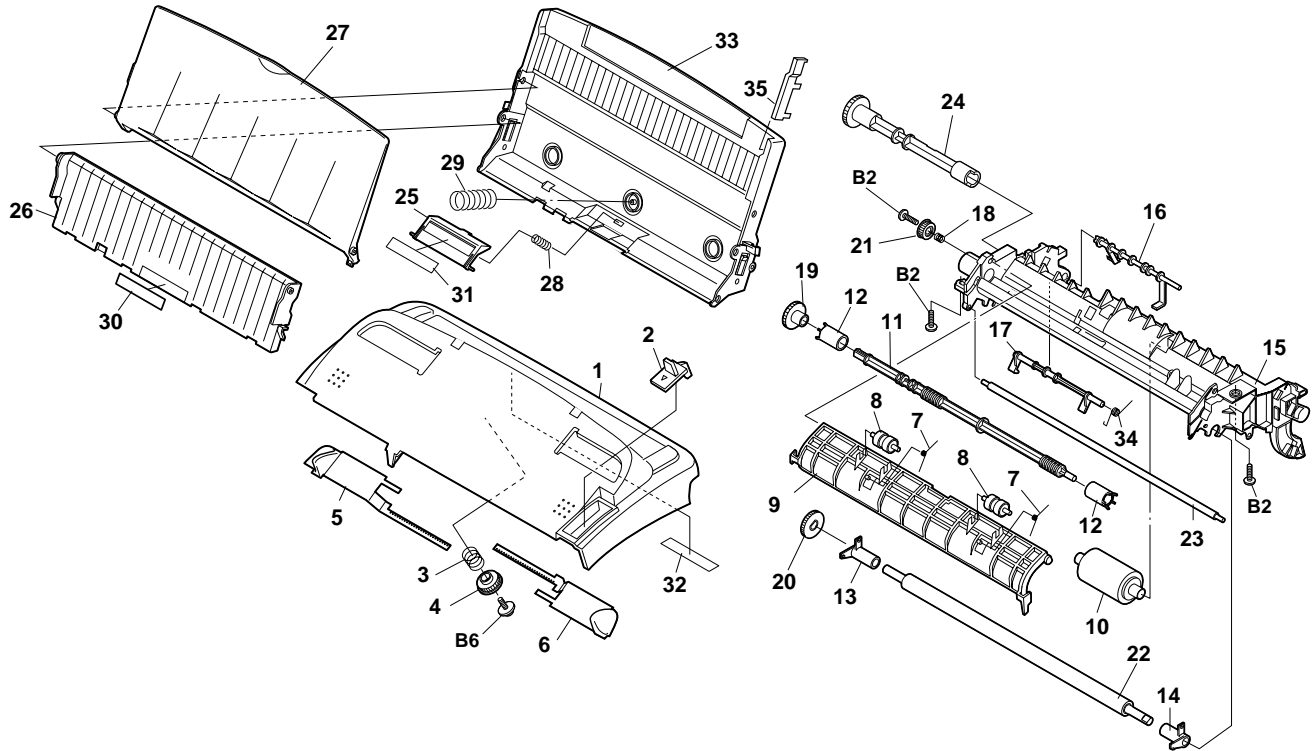
Because parts marked with "△" is indispensable for the machine safety maintenance and operation, it must be replaced with the parts specific to the product specification.

[1] Cabinet, etc.



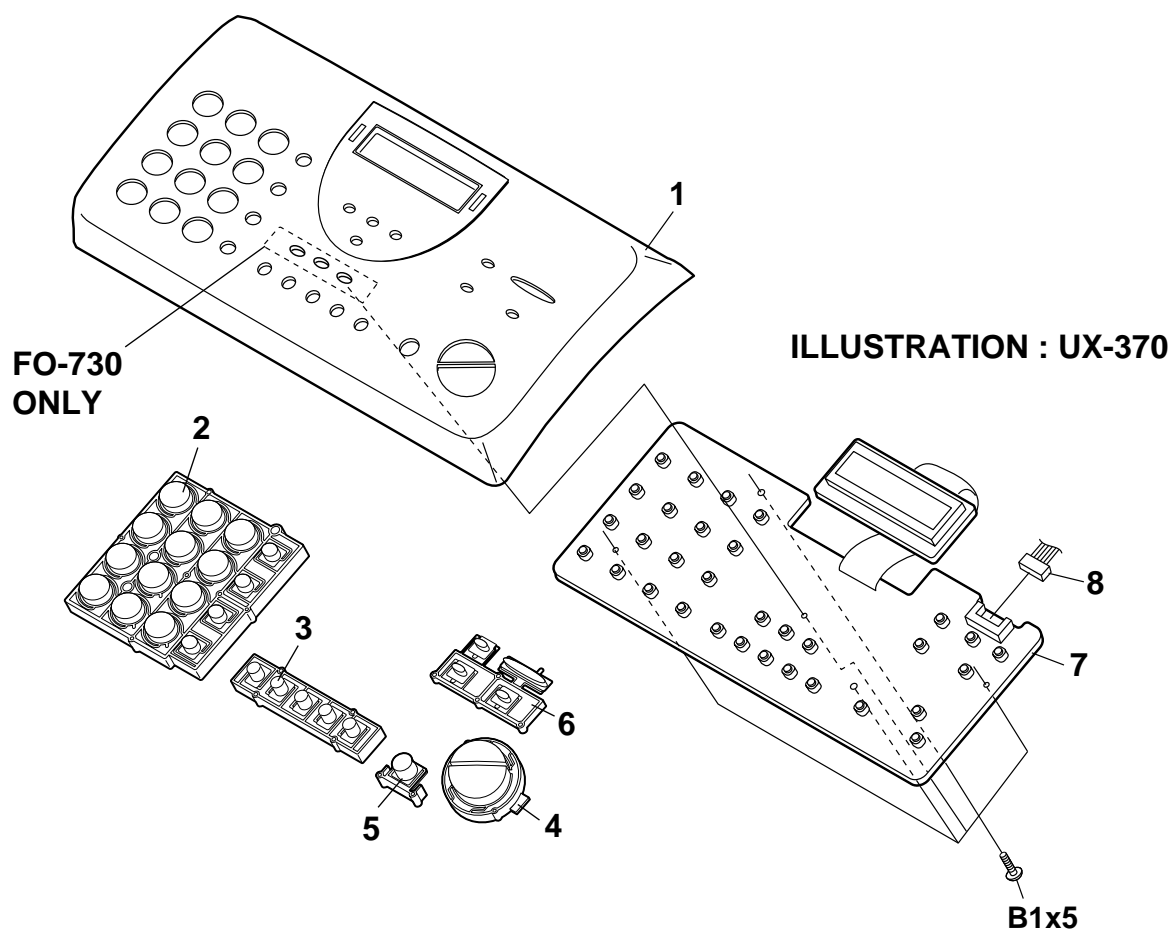
| NO. | PARTS CODE | PRICE RANK | NEW MARK | PART RANK | DESCRIPTION | |
|-------------------|----------------|---------------|----------|-----------|------------------------------------|--------------------------|
| [1] Cabinet, etc. | | | | | | |
| 1 | DCEKP478BFF06 | | N | E | Operation panel unit [370] | |
| | DCEKP478BFF10 | | N | E | Operation panel unit [310] | |
| | DCEKP478BFF05 | | N | E | Operation panel unit [730] | |
| 2 | QCNW-4935XHZZ | AN | N | C | Panel cable | |
| 4 | MLEVP2297XHZZ | AC | N | C | Cover switch lever | |
| 5 | MSPRT3069XHfJ | AB | N | C | Cover switch spring | |
| 6 | NROLR2375XHZZ | AL | | C | Feed roller | |
| 7 | NSFTP2302XHZZ | AD | N | C | Feed roller shaft | |
| 8 | PGIDM2538XHZZ | AM | N | C | Original paper guide | |
| 9 | CCNW-202AFF01 | | N | C | Speaker ass'y | |
| 10 | CGERH2444XHfY1 | AF | N | C | BT gear ass'y | |
| 14 | GCABB2325FFSC | | N | D | Lower cabinet [370/310] | |
| | GCABB2325FFSE | | N | D | Lower cabinet [730] | |
| 15 | LANGF2817XHfW | AF | N | C | Platen lock bracket | |
| 16 | LBSHP2088AXZZ | AC | | C | Transfer bearing | |
| 17 | MLEVP2290XHZZ | AC | N | C | Film sensor lever B | |
| 18 | MLEVP2292XHZZ | AD | N | C | PE sensor lever B | |
| 19 | MLEVP2294XHZZ | AD | N | C | P-IN sensor lever B | |
| 20 | MLEVP2295XHZZ | AD | N | C | Platen lock lever, left | |
| 21 | MLEVP2296XHZZ | AD | N | C | Platen lock lever, right | |
| 22 | MSPRD3082XHfJ | AC | N | C | Platen lock spring | |
| 23 | MSPRD3073XHfJ | AB | N | C | Sensor spring B | |
| 24 | MSPRP3054XHfJ | AD | N | C | Panel lock lever spring | |
| 25 | MSPRP3055XHfJ | AD | N | C | Speaker holder plate spring | |
| 26 | NGERH2445XHZZ | AB | N | C | Back roller gear | |
| 27 | NROLR2410XHZZ | AP | N | C | PO roller | |
| 28 | NSFTM2311XHZZ | AG | N | C | Film guide shaft | |
| 29 | PSHEZ3428XHZZ | AE | N | C | Sheet A | |
| 31 | LFRM-2198XHZZ | AK | N | C | Head frame | |
| 32 | MSPRC3103XHfJ | AC | N | C | Head spring F | |
| 33 | MSPRC3059XHfJ | AC | N | C | Head spring B | |
| 34 | MSPRC3102XHfJ | AC | N | C | Head spring E | |
| 35 | MSPRC3061XHfJ | AB | N | C | Head spring D | |
| 36 | PGIDM2531XHZZ | AD | N | C | Head guide, left | |
| 37 | PGIDM2532XHZZ | AD | N | C | Head guide, right | |
| 38 | QCNW-4936XHZZ | AN | N | C | Head cable | |
| 39 | RHEDZ2058XHZZ | BR | N | B | Thermal head | |
| 40 | PGIDM2529XHZZ | AD | N | C | CIS guide, left | |
| 41 | PGIDM2530XHZZ | AD | N | C | CIS guide, right | |
| 42 | QCNW-4850XHZZ | AG | | C | CIS cable | |
| 43 | RUNTZ2037XHZZ | BL | N | B | CIS unit | |
| 44 | DCEKC482LFFHS | | N | E | Control PWB unit(Within ROM) [370] | |
| | DCEKC386LFFHS | | N | E | Control PWB unit(Within ROM) [310] | |
| | DCEKC284LFFHS | | N | E | Control PWB unit(Within ROM) [730] | |
| 45 | DCEKL459BFF01 | | N | E | TEL-Liu PWB unit | |
| 46 | LPLTM2995XHfW | AS | N | C | Bottom plate | |
| 47 | MSPRC3057XHfJ | AC | N | C | CIS spring | |
| 48 | PCOVP2122XHZZ | AK | N | C | Head cover | |
| △ | 49 | QACCB2014FFZZ | | B | AC cord ass'y | |
| | 50 | QCNW-4971XHZZ | AD | N | C | Head earth cable |
| △ | 51 | RCORF2064XHZZ | AF | B | Core(TRA31) | |
| | 84 | MLEVP2302XHZZ | AC | N | C | Hook switch lever |
| 85 | HPNLH2389XHSN | AV | N | D | Decoration panel [370] | |
| | HPNLH2389XHSH | AV | N | D | Decoration panel [310] | |
| | HPNLH2389XHSM | AB | N | D | Decoration panel [730] | |
| 86 | GLEGG2063FFZZ | | | C | Rubber leg | |
| 87 | PSHEZ3410FFZZ | | N | C | Jack sheet | |
| △ | 88 | RDENT2137XHZZ | BL | N | E | Power supply PWB unit |
| | 89 | PCUSS2120XHZZ | AB | N | C | Head cushion |
| | 90 | PSHEZ3429XHZZ | AD | N | C | Head guide sheet |
| | 92 | MSPRD3104XHfJ | AC | N | C | Film sensor lever spring |
| | 95 | PSHEZ3432XHZZ | AE | N | C | Bottom plate sheet |
| | 97 | PSHEZ3425XHZZ | AL | N | C | Shield sheet |
| △ | 98 | RCORF2063XHZZ | AF | B | Core(TRA20) | |
| | 99 | TLABH3062FFZZ | | D | Warning label | |
| | 100 | PSHEZ3436XHZZ | AC | N | C | CIS protect sheet |
| | 102 | TLABZ4401FFZZ | | N | D | Dialing label |
| △ | 103 | RCORF2103XHZZ | AF | B | Core | |
| | B2 | XEBSD30P10000 | AA | C | Screw(3x10) | |
| | B3 | XBBSD30P06000 | AA | C | Screw(3x6) | |
| | B4 | XBPSN40P06K00 | AA | C | Screw(4x6) | |
| | B5 | XHBSD30P05000 | AA | C | Screw(3x5) | |
| | B7 | XEBSD30P08000 | AA | C | Screw(3x8) | |
| | B8 | XBPSD30P06K00 | AA | C | Screw(3x6) | |

[2] Top cover and sub frame



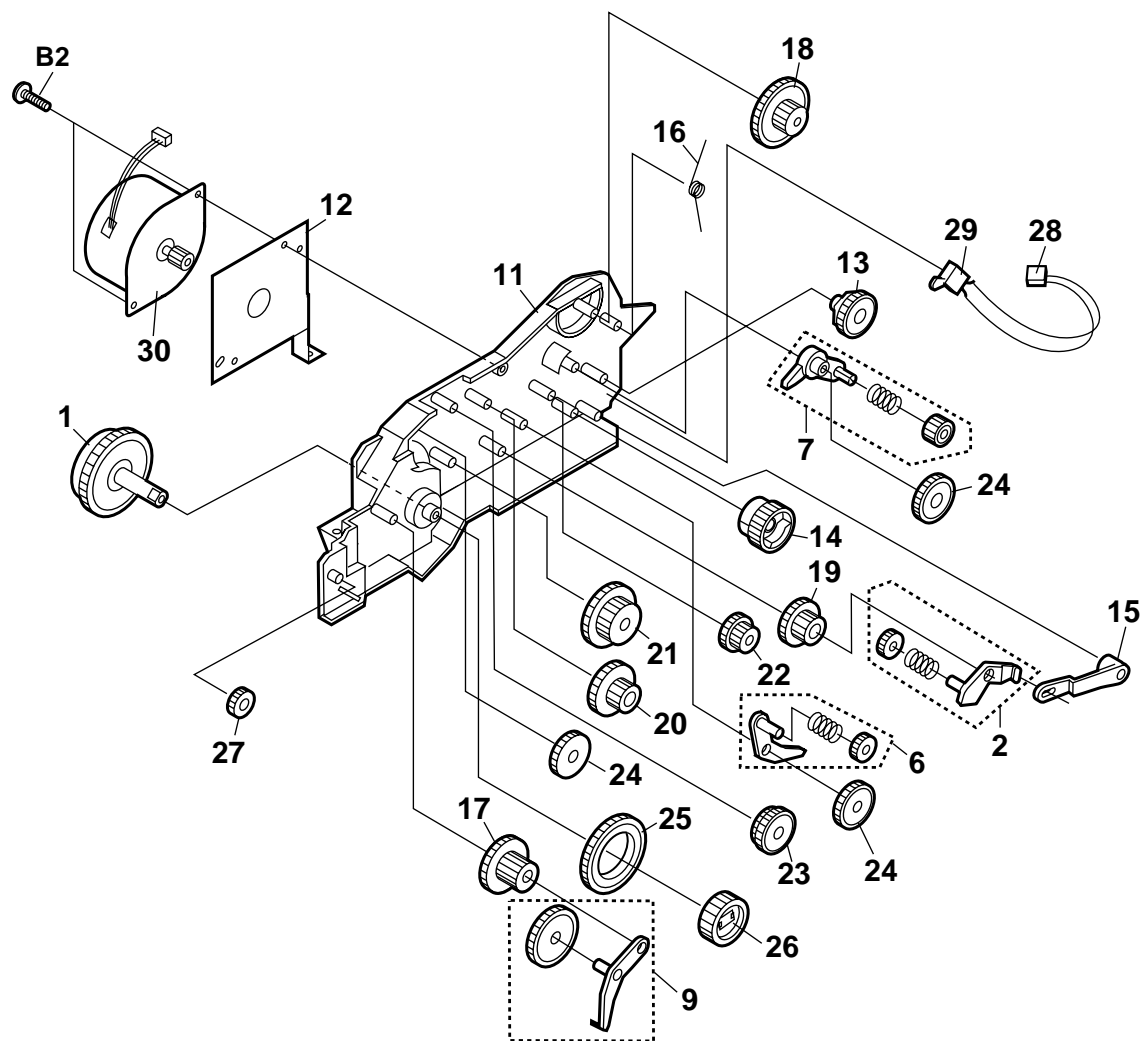
| NO. | PARTS CODE | PRICE RANK | NEW MARK | PART RANK | DESCRIPTION |
|-----------------------------|---------------|------------|----------|-----------|-------------------------------|
| [2] Top cover and sub frame | | | | | |
| 1 | GCOVA2403XHSC | AN | N | C | Top cover [370/310] |
| | GCOVA2403XHSA | AL | N | C | Top cover [730] |
| 2 | JKNBP2091XHZZ | AC | N | C | Release knob |
| 3 | MSPRC2832XHZZ | AC | | C | Hopper spring |
| 4 | NGERP2318XHZZ | AD | | C | Pinion gear |
| 5 | PGIDM2533XHSC | AD | N | C | Hopper guide, left [370/310] |
| | PGIDM2533XHSA | AD | N | C | Hopper guide, left [730] |
| 6 | PGIDM2534XHSC | AD | N | C | Hopper guide, right [370/310] |
| | PGIDM2534XHSA | AD | N | C | Hopper guide, right [730] |
| 7 | MSPRD3065XHFJ | AB | N | C | PO pinch roller spring |
| 8 | NROLR2332XHZZ | AD | | C | PO pinch roller |
| 9 | PGIDM2537XHZZ | AF | N | C | PO guide |
| 10 | CROLR2407XH01 | AN | N | C | PU roller ass'y |
| 11 | NROLR2408XHZZ | AD | N | C | PO roller |
| 12 | PGUMR2160XHZZ | AE | N | C | PO roller rubber |
| 13 | LBSHP2104XHZZ | AC | N | C | Platen bearing, left |
| 14 | LBSHP2105XHZZ | AC | N | C | Platen bearing, right |
| 15 | LFRM-2199XHZZ | AK | N | C | Sub frame |
| 16 | MLEVP2291XHZZ | AD | N | C | PE sensor lever |
| 17 | MLEVP2293XHZZ | AD | N | C | P-IN sensor lever |
| 18 | MSPRC3064XHFJ | AC | N | C | Tension spring |
| 19 | NGERH2441XHZZ | AC | N | C | PO gear |
| 20 | NGERH2442XHZZ | AC | N | C | Platen gear |
| 21 | NGERH2460XHZZ | AC | N | C | Tension gear |
| 22 | NROLR2409XHZZ | AW | N | C | Platen roller |
| 23 | NSFTM2311XHZZ | AG | N | C | Film guide shaft |
| 24 | NSFTP2304XHZZ | AD | N | C | PU shaft |
| 25 | LPLTP2997XHZZ | AD | N | C | Separate plate |
| 26 | LPLTP2998XHZZ | AF | N | C | Rotation plate |
| 27 | LPLTP3001XHSC | AF | N | C | RP release plate [370/310] |
| | LPLTP3001XHSA | AH | N | C | RP release plate [730] |
| 28 | MSPRC3062XHFJ | AB | N | C | Separate spring |
| 29 | MSPRC3063XHFJ | AC | N | C | C-spring |
| 30 | PSEL-2015SCZZ | AB | | C | RP pad |
| 31 | PSHEZ3293XHZZ | AH | N | C | Separate plate sheet |
| 32 | PSHEZ3431XHZZ | AC | N | C | TC sheet |
| 33 | PHOP-2101XHSC | AH | N | C | RP hopper [370/310] |
| | PHOP-2101XHSA | AK | N | C | RP hopper [730] |
| 34 | MSPRD3105XHFJ | AC | N | C | P-IN sensor lever spring |
| 35 | PGIDM2535XHSC | AC | N | C | A4 paper guide [370/310] |
| | PGIDM2535XHSA | AC | N | C | A4 paper guide [730] |
| B2 | XEBSD30P10000 | AA | | C | Screw(3x10) |
| B6 | LX-BZ2138XHZZ | AB | | C | Screw |

[3] Upper cabinet



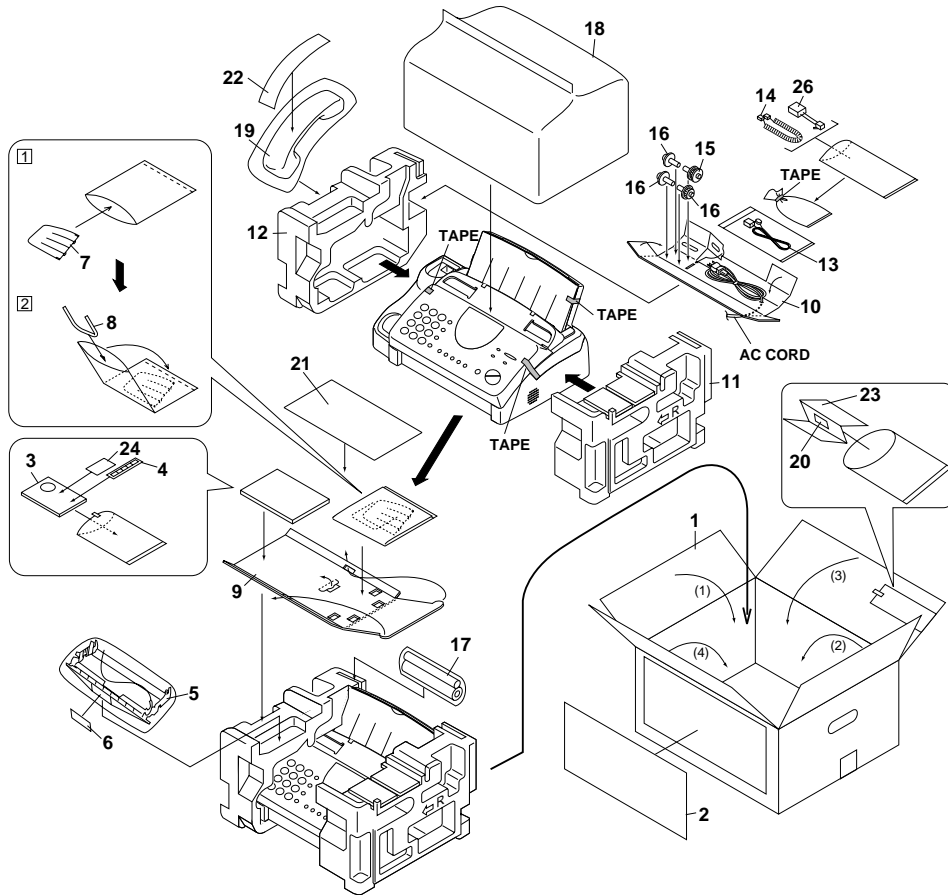
| NO. | PARTS CODE | PRICE RANK | NEW MARK | PART RANK | DESCRIPTION |
|--------------------------|---------------|------------|----------|-----------|------------------------------------|
| [3] Upper cabinet | | | | | |
| 1 | GCABA2324XHSQ | | N | D | Upper cabinet [370] |
| | GCABA2324XHSJ | | N | D | Upper cabinet [310] |
| | GCABA2324XHSP | | N | D | Upper cabinet [730] |
| 2 | JBTN-2242XHSC | AG | N | C | 12 key [370/310] |
| | JBTN-2242XHSA | AG | N | C | 12 key [730] |
| 3 | JBTN-2243XHSC | AD | N | C | Direct key [370/310] |
| | JBTN-2252XHSA | AE | N | C | Direct key [730] |
| 4 | JBTN-2244XHSA | AD | N | C | Start key |
| 5 | JBTN-2245XHSA | AD | N | C | Stop key |
| 6 | JBTN-2246XHSC | AD | N | C | Mode key [370/310] |
| | JBTN-2246XHSA | AD | N | C | Mode key [730] |
| 7 | DCEKP450BXHG1 | | N | E | Operation panel PWB unit [370/310] |
| | DCEKP450BXHG2 | | N | E | Operation panel PWB unit [730] |
| 8 | QCNW-4935XHZZ | AN | N | C | Panel cable |
| B1 | XEBSD20P06000 | AA | | C | Screw(2x6) |
| | (Unit) | | | | |
| 901 | DCEKP478BFF06 | | N | E | Operation panel unit [370] |
| | DCEKP478BFF10 | | N | E | Operation panel unit [310] |
| | DCEKP478BFF05 | | N | E | Operation panel unit [730] |
| | | | | | |
| | | | | | |
| | | | | | |
| | | | | | |
| | | | | | |
| | | | | | |
| | | | | | |
| | | | | | |
| | | | | | |
| | | | | | |
| | | | | | |

[5] Drive unit



| NO. | PARTS CODE | PRICE RANK | NEW MARK | PART RANK | DESCRIPTION |
|-----------------------|---------------|------------|----------|-----------|---------------------------|
| [5] Drive unit | | | | | |
| 1 | CGERH2459XH01 | AM | N | C | Slip gear ass'y |
| 2 | CLEVP2298XH01 | AC | N | C | Planet gear lever A ass'y |
| 6 | CLEVP2299XH01 | AC | N | C | Planet gear lever B ass'y |
| 7 | CLEVP2300XH01 | AC | N | C | Planet gear lever C ass'y |
| 9 | CLEVP2303XH01 | AC | N | C | Planet gear lever D ass'y |
| 11 | LFMR-2200XHZZ | AB | N | C | Drive frame |
| 12 | LPLTM2994XHFW | AE | N | C | Motor plate |
| 13 | MCAMP2025XHZZ | AB | N | C | Cam A |
| 14 | MCAMP2026XHZZ | AB | N | C | Cam B |
| 15 | MLEVP2301XHZZ | AB | N | C | Link lever |
| 16 | MSPRD3070XHfJ | AB | N | C | Cam hold spring |
| 17 | NGERH2280XHZZ | AC | | C | Idler gear B |
| 18 | NGERH2311XHZZ | AD | | C | Reduction gear C |
| 19 | NGERH2446XHZZ | AB | N | C | Reduction gear,1 |
| 20 | NGERH2447XHZZ | AB | N | C | Reduction gear,2 |
| 21 | NGERH2448XHZZ | AB | N | C | Reduction gear,3 |
| 22 | NGERH2449XHZZ | AB | N | C | Reduction gear,4 |
| 23 | NGERH2450XHZZ | AB | N | C | Reduction gear,5 |
| 24 | NGERH2451XHZZ | AB | N | C | Idler gear,30Z |
| 25 | NGERH2452XHZZ | AB | N | C | Idler gear,52Z |
| 26 | NGERH2454XHZZ | AB | N | C | Take up gear |
| 27 | NGERH2461XHZZ | AB | N | C | Reduction gear,6 |
| 28 | QCNW-4933XHZZ | AC | N | C | Cam switch cable |
| 29 | QSW-F2224SCZZ | AE | | B | Cam switch |
| 30 | RMOTZ2145XHZZ | BA | N | B | Motor |
| B2 | XEBSD30P10000 | AA | | C | Screw(3x10) |
| | | | | | |
| | | | | | |
| | | | | | |
| | | | | | |

[6] Packing material & Accessories



| NO. | PARTS CODE | PRICE RANK | NEW MARK | PART RANK | DESCRIPTION |
|---|---------------|------------|----------|-----------|---|
| [6] Packing material & Accessories | | | | | |
| 1 | SPAKC031BFFZZ | | N | D | Packing case [370] |
| | SPAKC524AFFZZ | | N | D | Packing case [310] |
| | SPAKC526AFFZZ | | N | D | Packing case [730] |
| 2 | TLABM4890FFZZ | | N | D | Box label [370] |
| | TLABM4881FFZZ | | N | D | Box label [310] |
| | TLABM4914FFZZ | | N | D | Box label [730] |
| 3 | TINSE3953FFZZ | | N | D | Operation manual [370] |
| | TINSE3947FFZZ | | N | D | Operation manual [310] |
| | TINSE3961FFZZ | | N | D | Operation manual [730] |
| 4 | TLABH4751FFZZ | | N | D | Rapid key labels [370/310] |
| | TLABH4811FFZZ | | N | D | Rapid key labels [730] |
| 5 | CPLTP3002XHB1 | AK | N | E | Imaging film cartridge and label ass'y |
| 6 | TLABH4752XHZZ | AB | N | D | Film set label |
| 7 | LPLTP3003XHSA | AH | N | C | Paper tray extension |
| 8 | PHOP-2102XHZZ | AE | N | C | Original document support |
| 9 | SPAKA490AFFZZ | | N | D | Pad B |
| 10 | SPAKA489AFFZZ | | N | D | Pad A |
| 11 | SPAKA481AFFZZ | | N | D | Packing add.,right |
| 12 | SPAKA480AFFZZ | | N | D | Packing add.,left |
| 13 | QCNW-4650FFZZ | | | C | Telephone line cord |
| 14 | QCNW-3976XHBG | AK | N | C | Handset cord [370/310] |
| | QCNW-3976XHOW | AK | | C | Handset cord [730] |
| 15 | NGERH2455XHZZ | AD | N | C | Imaging film gear A |
| 16 | NGERH2456XHZZ | AC | N | C | Imaging film gear B |
| 17 | PRBNN2015SCZZ | AQ | | S | Imaging film (Initial starter roll 10m) |
| 18 | SPAKP3385FFZZ | | | D | Vinyl cover |
| 19 | DUNTK419BFFBG | | N | E | Handset [370/310] |
| | DUNTK419BFFWH | | N | E | Handset [730] |
| 20 | TLABZ3077FFZB | AB | | D | Service call card |
| 21 | TCADZ2839FFZZ | | N | D | Important sheet |
| 22 | TLABM4892FFZZ | | N | D | Pop label [370] |
| | TLABM243AFFZZ | | N | D | Pop label [310] |
| | TLABM4882FFZZ | | N | D | Pop label [730] |
| 23 | TCADZ2838FFZZ | | N | D | Warranty card |
| 24 | TLABZ2549FFZZ | AB | | D | Emergency label |
| 26 | QCNW-4266FFZZ | AF | | C | UK jack cable |

| NO. | PARTS CODE | PRICE RANK | NEW MARK | PART RANK | DESCRIPTION |
|----------------------|---------------|------------|----------|-----------|---|
| [7] Control PWB unit | | | | | |
| 1 | UBATL2049SCZZ | AF | | B | Battery(CR2032T23) [BAT1] |
| 2 | VCEAGA1EW476M | AA | | C | Capacitor(25WV 47μF) [C1] |
| 3 | VCEAGA1HW105M | AB | | C | Capacitor(50WV 1μF) [C2] |
| 4 | VCEAGA1EW476M | AA | | C | Capacitor(25WV 47μF) [C3] |
| 5 | VCEAGA1HW106M | AA | | C | Capacitor(50WV 10μF) [C4] |
| 6 | VCEAGA1HW106M | AA | | C | Capacitor(50WV 10μF) [C5] |
| 7 | VCEAGA1HW226M | AB | | C | Capacitor(50WV 22μF) [C6] |
| 8 | VCEAGA1HW107M | AA | | C | Capacitor(50WV 100μF) [C7] |
| 9 | VCEAGA1EW476M | AA | | C | Capacitor(25WV 47μF) [C8] |
| 10 | VCKYTV1CF105Z | AB | | C | Capacitor(16WV 1μF) [C100] |
| 11 | VCKYTV1EF104Z | AA | | C | Capacitor(25WV 0.1μF) [C103][370H] |
| 12 | VCKYTV1HB222K | AA | | C | Capacitor(50WV 2200PF) [C104] |
| 13 | VCKYTV1HB102K | AA | | C | Capacitor(50WV 1000PF) [C105] |
| 14 | VCKYTV1HB222K | AA | | C | Capacitor(50WV 2200PF) [C106] |
| 15 | VCKYTV1EF104Z | AA | | C | Capacitor(25WV 0.1μF) [C107] |
| 16 | VCKYTV1EF104Z | AA | | C | Capacitor(25WV 0.1μF) [C108][310H/730H] |
| 17 | VCKYTV1EF104Z | AA | | C | Capacitor(25WV 0.1μF) [C109][370H] |
| 18 | VCKYTV1HB222K | AA | | C | Capacitor(50WV 2200PF) [C110] |
| 19 | VCKYTV1HB222K | AA | | C | Capacitor(50WV 2200PF) [C111] |
| 20 | VCKYTV1HB222K | AA | | C | Capacitor(50WV 2200PF) [C112] |
| 21 | VCCCTV1HH150J | AA | | C | Capacitor(50WV 15PF) [C113] |
| 22 | VCCCTV1HH680J | AA | | C | Capacitor(50WV 68PF) [C115] |
| 23 | VCCCTV1HH680J | AA | | C | Capacitor(50WV 68PF) [C116] |
| 24 | VCCCTV1HH150J | AA | | C | Capacitor(50WV 15PF) [C117] |
| 25 | VCKYTV1CF105Z | AB | | C | Capacitor(16WV 1μF) [C118] |
| 26 | VCKYTV1EF104Z | AA | | C | Capacitor(25WV 0.1μF) [C120] |
| 27 | VCKYTV1HB222K | AA | | C | Capacitor(50WV 2200PF) [C121] |
| 28 | VCKYTV1HB222K | AA | | C | Capacitor(50WV 2200PF) [C122] |
| 29 | VCCCTV1HH180J | AA | | C | Capacitor(50WV 18PF) [C123] |
| 30 | VCKYTV1CF105Z | AB | | C | Capacitor(16WV 1μF) [C124] |
| 31 | VCKYTV1HB103K | AB | | C | Capacitor(50WV 0.01μF) [C125] |
| 32 | VCCSTV1HL391J | AA | | C | Capacitor(50WV 390PF) [C126] |
| 33 | VCCCTV1HH680J | AA | | C | Capacitor(50WV 68PF) [C128] |
| 34 | VCKYTV1HB102K | AA | | C | Capacitor(50WV 1000PF) [C129] |
| 35 | VCCCTV1HH150J | AA | | C | Capacitor(50WV 15PF) [C130] |
| 36 | VCKYTV1CF105Z | AB | | C | Capacitor(16WV 1μF) [C131] |
| 37 | VCKYTV1HB222K | AA | | C | Capacitor(50WV 2200PF) [C132] |
| 38 | VCCCTV1HH680J | AA | | C | Capacitor(50WV 68PF) [C133] |
| 39 | VCCCTV1HH680J | AA | | C | Capacitor(50WV 68PF) [C134] |
| 40 | VCKYTV1EB104K | AA | | C | Capacitor(25WV 0.1μF) [C135] |
| 41 | VCKYTV1CF105Z | AB | | C | Capacitor(16WV 1μF) [C136] |
| 42 | VCKYTV1CF105Z | AB | | C | Capacitor(16WV 1μF) [C137] |
| 43 | VCKYTV1HB102K | AA | | C | Capacitor(50WV 1000PF) [C138] |
| 44 | VCKYTV1HB102K | AA | | C | Capacitor(50WV 1000PF) [C140] |
| 45 | VCKYTV1HB102K | AA | | C | Capacitor(50WV 1000PF) [C141] |
| 46 | VCKYTV1EF104Z | AA | | C | Capacitor(25WV 0.1μF) [C142] |
| 47 | VCKYTV1CF105Z | AB | | C | Capacitor(16WV 1μF) [C143] |
| 48 | VCCCTV1HH680J | AA | | C | Capacitor(50WV 68PF) [C144] |
| 49 | VCKYTV1CF105Z | AB | | C | Capacitor(16WV 1μF) [C145] |
| 50 | VCKYTV1HB102K | AA | | C | Capacitor(50WV 1000PF) [C146] |
| 51 | VCCCTV1HH680J | AA | | C | Capacitor(50WV 68PF) [C147] |
| 52 | VCCCTV1HH680J | AA | | C | Capacitor(50WV 68PF) [C148] |
| 53 | VCKYTV1EF104Z | AA | | C | Capacitor(25WV 0.1μF) [C149] |
| 54 | VCKYTV1CF105Z | AB | | C | Capacitor(16WV 1μF) [C150] |
| 55 | VCKYTV1CF105Z | AB | | C | Capacitor(16WV 1μF) [C151] |
| 56 | VCKYTV1CF105Z | AB | | C | Capacitor(16WV 1μF) [C152] |
| 57 | VCKYTV1CF105Z | AB | | C | Capacitor(16WV 1μF) [C153] |
| 58 | VCCCTV1HH680J | AA | | C | Capacitor(50WV 68PF) [C154] |
| 59 | VCKYTV1HB102K | AA | | C | Capacitor(50WV 1000PF) [C155] |
| 60 | VCKYTV1EB104K | AA | | C | Capacitor(25WV 0.1μF) [C156] |
| 61 | VCKYTV1HB221K | AA | | C | Capacitor(50WV 220PF) [C157] |
| 62 | VCKYTV1HB472K | AA | | C | Capacitor(50WV 4700PF) [C158] |
| 63 | VCKYTV1HB103K | AB | | C | Capacitor(50WV 0.01μF) [C159] |
| 64 | VCKYTV1CF105Z | AB | | C | Capacitor(16WV 1μF) [C161] |
| 65 | VCKYTV1EF104Z | AA | | C | Capacitor(25WV 0.1μF) [C162] |
| 66 | VCKYTV1CF105Z | AB | | C | Capacitor(16WV 1μF) [C163] |
| 67 | VCKYTV1CF105Z | AB | | C | Capacitor(16WV 1μF) [C164] |
| 68 | VCKYTV1CF105Z | AB | | C | Capacitor(16WV 1μF) [C165] |
| 69 | VCKYTV1HB222K | AA | | C | Capacitor(50WV 2200PF) [C166] |
| 70 | VCCCTV1HH220J | AA | | C | Capacitor(50WV 22PF) [C167] |
| 71 | VCKYTV1CF105Z | AB | | C | Capacitor(16WV 1μF) [C168] |
| 72 | VCKYTV1CF105Z | AB | | C | Capacitor(16WV 1μF) [C169] |
| 73 | VCCCTV1HH680J | AA | | C | Capacitor(50WV 68PF) [C170] |
| 74 | VCCCTV1HH680J | AA | | C | Capacitor(50WV 68PF) [C171] |
| 75 | VCCCTV1HH680J | AA | | C | Capacitor(50WV 68PF) [C172] |
| 76 | VCCCTV1HH680J | AA | | C | Capacitor(50WV 68PF) [C173] |
| 77 | VCKYTV1CF105Z | AB | | C | Capacitor(16WV 1μF) [C174] |
| 78 | VCKYTV1HB102K | AA | | C | Capacitor(50WV 1000PF) [C175] |
| 79 | VCKYTV1EF104Z | AA | | C | Capacitor(25WV 0.1μF) [C176] |
| 80 | VCKYTV1CF105Z | AB | | C | Capacitor(16WV 1μF) [C178] |

| NO. | PARTS CODE | PRICE RANK | NEW MARK | PART RANK | DESCRIPTION | |
|----------------------|---------------|------------|----------|-----------|--|------------------|
| [7] Control PWB unit | | | | | | |
| 81 | VCKYTV1CF105Z | AB | | C | Capacitor(16WV 1μF) | [C179] |
| 82 | VCKYTV1HB681K | AA | | C | Capacitor(50WV 680PF) | [C181] |
| 83 | VRS-TS2AD000J | AA | | C | Resistor(1/10W 0Ω ±5%) | [C182] |
| 84 | VCCSTV1HL102J | AA | | C | Capacitor(50WV 1000PF) | [C183] |
| 85 | VCKYTQ1HF104Z | AA | | C | Capacitor(50WV 0.1μF) | [C184] |
| 86 | VCKYTV1CF105Z | AB | | C | Capacitor(16WV 1μF) | [C185] |
| 87 | VCCCTV1HH220J | AA | | C | Capacitor(50WV 22PF) | [C186] |
| 88 | VCCCTV1HH680J | AA | | C | Capacitor(50WV 68PF) | [C187] |
| 89 | VCCCTV1HH680J | AA | | C | Capacitor(50WV 68PF) | [C188] |
| 90 | VCCCTV1HH101J | AA | | C | Capacitor(50WV 100PF) | [C189] |
| 91 | VCCCTV1HH101J | AA | | C | Capacitor(50WV 100PF) | [C190] |
| 92 | VCCCTV1HH680J | AA | | C | Capacitor(50WV 68PF) | [C191] |
| 93 | VCCCTV1HH680J | AA | | C | Capacitor(50WV 68PF) | [C192] |
| 94 | VCCCTV1HH101J | AA | | C | Capacitor(50WV 100PF) | [C193] |
| 95 | VRS-TS2AD000J | AA | | C | Resistor(1/10W 0Ω ±5%) | [C194] |
| 96 | VCCCTV1HH101J | AA | | C | Capacitor(50WV 100PF) | [C195] |
| 97 | VCKYTV1EB104K | AA | | C | Capacitor(25WV 0.1μF) | [C196] |
| 98 | VCCCTV1HH101J | AA | | C | Capacitor(50WV 100PF) | [C197] |
| 99 | VCKYTV1CF105Z | AB | | C | Capacitor(16WV 1μF) | [C198] |
| 100 | VCCCTV1HH101J | AA | | C | Capacitor(50WV 100PF) | [C199] |
| 101 | VCKYTQ1HF104Z | AA | | C | Capacitor(50WV 0.1μF) | [C200] |
| 102 | VCKYTV1EF104Z | AA | | C | Capacitor(25WV 0.1μF) | [C201] |
| 103 | VCCCTV1HH680J | AA | | C | Capacitor(50WV 68PF) | [C203] |
| 104 | VCKYTV1HB102K | AA | | C | Capacitor(50WV 1000PF) | [C204] |
| 105 | VCKYTV1HB102K | AA | | C | Capacitor(50WV 1000PF) | [C205] |
| 106 | VCKYTV1HB102K | AA | | C | Capacitor(50WV 1000PF) | [C206] |
| 107 | VCKYTV1HB102K | AA | | C | Capacitor(50WV 1000PF) | [C207] |
| 108 | VCKYTV1HB102K | AA | | C | Capacitor(50WV 1000PF) | [C208] |
| 109 | VCKYTV1HB102K | AA | | C | Capacitor(50WV 1000PF) | [C209] |
| 110 | VCKYTV1HB102K | AA | | C | Capacitor(50WV 1000PF) | [C210] |
| 111 | VCKYTV1HB102K | AA | | C | Capacitor(50WV 1000PF) | [C211] |
| 112 | VCKYTV1HB102K | AA | | C | Capacitor(50WV 1000PF) | [C212] |
| 113 | VCCCTV1HH680J | AA | | C | Capacitor(50WV 68PF) | [C213] |
| 114 | VCCCTV1HH680J | AA | | C | Capacitor(50WV 68PF) | [C214] |
| 115 | VCCCTV1HH680J | AA | | C | Capacitor(50WV 68PF) | [C215] |
| 117 | VCKYTV1EF104Z | AA | | C | Capacitor(25WV 0.1μF) | [C217] |
| 118 | VCKYTV1EF104Z | AA | | C | Capacitor(25WV 0.1μF) | [C218] |
| 119 | VCKYTV1HB102K | AA | | C | Capacitor(50WV 1000PF) | [C223] |
| 120 | VCKYTV1HB102K | AA | | C | Capacitor(50WV 1000PF) | [C224] |
| 121 | VCCCTV1HH101J | AA | | C | Capacitor(50WV 100PF) | [C225] |
| 122 | VCCCTV1HH101J | AA | | C | Capacitor(50WV 100PF) | [C226] |
| 123 | VCCCTV1HH101J | AA | | C | Capacitor(50WV 100PF) | [C227] |
| 124 | VCCCTV1HH101J | AA | | C | Capacitor(50WV 100PF) | [C228] |
| 125 | VCKYTV1HB102K | AA | | C | Capacitor(50WV 1000PF) | [C229] |
| 126 | VCKYTV1HB102K | AA | | C | Capacitor(50WV 1000PF) | [C230] |
| 127 | VCKYTV1HB102K | AA | | C | Capacitor(50WV 1000PF) | [C231] |
| 128 | VCCCTV1HH101J | AA | | C | Capacitor(50WV 100PF) | [C233] |
| 129 | VCKYTV1EF104Z | AA | | C | Capacitor(25WV 0.1μF) | [C235] |
| 130 | VCKYTV1EF104Z | AA | | C | Capacitor(25WV 0.1μF) | [C236] |
| 131 | QCNCM7014SC0G | AB | | C | Connector(7pin) | [CNCIS] |
| 132 | QCNCM2442SC0B | AB | | C | Conector(2pin) | [CNC5W] |
| 133 | QCNCM2575SC1B | | N | C | Connector(12pin) | [CNLIUA] |
| 134 | QCNCM2575SC0F | AE | N | C | Connector(6pin) | [CNLIUB] |
| 135 | QCNCM7014SC0F | AB | | C | Connector(6pin) | [CNMT] |
| 136 | QCNCM7014SC1E | AC | | C | Connector(15pin) | [CNPJ] |
| 137 | QCNCM2575SC0I | AF | N | C | Connector(9pin) | [CNPW] |
| 138 | QCNCM2401SC0B | AA | | C | Connector(2pin) | [CN5P] |
| 139 | QCNCM7014SC1F | AD | | C | Connector(16pin) | [CNTH] |
| 140 | VHEMPZP4748A1 | AB | | B | Diode(MPZP4748) | [D2] |
| 141 | VHDB705D//-1 | AD | | B | Diode(RB705D) | [D102] |
| 142 | VHD1SS355//-1 | AB | | B | Diode(1SS355) | [D104] |
| 143 | VHD1SS355//-1 | AB | | B | Diode(1SS355) | [D105] |
| 144 | VHVICPS07//-1 | AA | | B | IC protector(ICP-S07) | [FU100] |
| 145 | RH-IX2129SCZZ | AY | | B | IC(M514800C-70J) | [IC1][370H] |
| 146 | VHIW24010S7LE | AZ | N | B | IC(W24010S-70LE) | [IC2][310H/730H] |
| 147 | VHIW24258S7LE | AQ | N | B | IC(W24258S-70LE) | [IC3][370H] |
| 148 | QSOC20115SC32 | AC | N | C | IC socket(32pin) | [IC4] |
| | VHI27020FKU0E | | N | B | IC,EPROM(2MB) | [IC4][370H] |
| | VHI27020FNK0A | | N | B | IC,EPROM(2MB) | [IC4][310H] |
| | VHI27020FMT0A | | N | B | IC,EPROM(2MB) | [IC4][730H] |
| 150 | VHIULN2003AN/ | AE | | B | IC(ULN2003ANS) | [IC5] |
| 151 | VHIR96CIDFC1M | BN | N | B | IC(R96DFXL-CID)(Within IC6 and IC9 pair) | [IC6] |
| 152 | VHITC74HCU04F | AE | N | B | IC(HCU04) | [IC7] |
| 153 | VHIPST596CMT1 | AF | | B | IC(PST596CNR) | [IC8] |
| 154 | VHIR96CIDFC1M | BN | N | B | IC(FC100M)(Within IC6 and IC9 pair) | [IC9] |
| 155 | VHIMC34119DR2 | AH | | B | IC(MC34119) | [IC10] |
| 156 | VHIHCF4053M1T | AG | | B | IC(HCF4053B) | [IC11] |
| 157 | VHINJM2902M-1 | AF | | B | IC(NJM2902M) | [IC12] |
| 158 | VRS-TS2AD121J | AA | | C | Resistor(1/10W 120Ω ±5%) | [L100] |
| 159 | VRS-TS2AD000J | AA | | C | Resistor(1/10W 0Ω ±5%) | [L101] |

| NO. | PARTS CODE | PRICE RANK | NEW MARK | PART RANK | DESCRIPTION |
|----------------------|---------------|------------|----------|-----------|---|
| [7] Control PWB unit | | | | | |
| 160 | RCILZ2145XHZZ | AF | | C | Coil(Z2145) [L102] |
| 161 | RCILZ2145XHZZ | AF | | C | Coil(Z2145) [L103] |
| 162 | RCILZ2104SCZZ | AK | | C | Coil(Z2104) [L104] |
| 163 | RCILZ2145XHZZ | AF | | C | Coil(Z2145) [L105] |
| 164 | RCILZ2145XHZZ | AF | | C | Coil(Z2145) [L106] |
| 165 | VRS-TS2AD000J | AA | | C | Resistor(1/10W 0Ω ±5%) [L107] |
| 166 | VRS-TS2AD000J | AA | | C | Resistor(1/10W 0Ω ±5%) [L108] |
| 167 | VHPSG206S//1 | AG | | B | Photo transistor(SG206S) [P11] |
| 168 | VS2SA1037KS-1 | AB | | B | Transistor(2SA1037KS) [Q101] |
| 169 | VS2SC2412KR-1 | AD | | B | Transistor(2SC2412K) [Q103][310H/730H] |
| 170 | VSDTC114EK/-1 | AB | | B | Transistor(DTC114EK) [Q104] |
| 171 | VSDTC114EK/-1 | AB | | B | Transistor(DTC114EK) [Q105] |
| 172 | VSDTD114EK/-1 | AC | | B | Transistor(DTD114EK) [Q109] |
| 173 | VS2SA1037KS-1 | AB | | B | Transistor(2SA1037KS) [Q111] |
| 174 | VRS-TS2AD103J | AA | | C | Resistor(1/10W 10KΩ ±5%) [R100] |
| 175 | VRS-TS2AD271J | AA | | C | Resistor(1/10W 270Ω ±5%) [R102] |
| 176 | VRS-TS2AD512J | AA | | C | Resistor(1/10W 5.1KΩ ±5%) [R103] |
| 177 | VRS-TS2AD000J | AA | | C | Resistor(1/10W 0Ω ±5%) [R104] |
| 178 | VRS-TS2AD271J | AA | | C | Resistor(1/10W 270Ω ±5%) [R105] |
| 179 | VRS-TS2AD000J | AA | | C | Resistor(1/10W 0Ω ±5%) [R106][370H] |
| 180 | VRS-TS2AD000J | AA | | C | Resistor(1/10W 0Ω ±5%) [R107][310H/730H] |
| 181 | VRS-TS2AD000J | AA | | C | Resistor(1/10W 0Ω ±5%) [R109] |
| 182 | VRS-TS2AD223J | AA | | C | Resistor(1/10W 22KΩ ±5%) [R110] |
| 183 | VRS-TS2AD271J | AA | | C | Resistor(1/10W 270Ω ±5%) [R111] |
| 184 | VRS-TS2AD271J | AA | | C | Resistor(1/10W 270Ω ±5%) [R112] |
| 185 | VRS-TS2AD103J | AA | | C | Resistor(1/10W 10KΩ ±5%) [R113] |
| 186 | VRS-TS2AD393J | AA | | C | Resistor(1/10W 39KΩ ±5%) [R114] |
| 187 | VRS-TS2AD393J | AA | | C | Resistor(1/10W 39KΩ ±5%) [R115] |
| 188 | VRS-TS2AD303J | AA | | C | Resistor(1/10W 30KΩ ±5%) [R117] |
| 189 | VRS-TS2AD104J | AA | | C | Resistor(1/10W 100KΩ ±5%) [R118] |
| 190 | VRS-TS2AD303J | AA | | C | Resistor(1/10W 30KΩ ±5%) [R119] |
| 191 | VRS-TS2AD271J | AA | | C | Resistor(1/10W 270Ω ±5%) [R120] |
| 192 | VRS-TS2AD271J | AA | | C | Resistor(1/10W 270Ω ±5%) [R121] |
| 193 | VRS-TS2AD105J | AA | | C | Resistor(1/10W 1.0MΩ ±5%) [R122] |
| 194 | VRS-TS2AD472J | AA | | C | Resistor(1/10W 4.7KΩ ±5%) [R123][310H/730H] |
| 195 | VRS-TS2AD201J | AG | | C | Resistor(1/10W 200Ω ±5%) [R125] |
| 196 | VRS-TS2AD121J | AA | | C | Resistor(1/10W 120Ω ±5%) [R126] |
| 197 | VRS-TS2AD333J | AA | | C | Resistor(1/10W 33KΩ ±5%) [R127] |
| 198 | VRS-TS2AD271J | AA | | C | Resistor(1/10W 270Ω ±5%) [R128] |
| 199 | VRS-TS2AD151J | AA | | C | Resistor(1/10W 150Ω ±5%) [R129] |
| 200 | VRS-TS2AD151J | AA | | C | Resistor(1/10W 150Ω ±5%) [R130] |
| 201 | VRS-TS2AD680J | AA | | C | Resistor(1/10W 68Ω ±5%) [R131] |
| 202 | VRS-TS2AD103J | AA | | C | Resistor(1/10W 10KΩ ±5%) [R132] |
| 203 | VRS-TS2AD151J | AA | | C | Resistor(1/10W 150Ω ±5%) [R133] |
| 204 | VRS-TS2AD562J | AA | | C | Resistor(1/10W 5.6KΩ ±5%) [R134] |
| 205 | VRS-TS2AD271J | AA | | C | Resistor(1/10W 270Ω ±5%) [R136] |
| 206 | VRS-TS2AD000J | AA | | C | Resistor(1/10W 0Ω ±5%) [R137] |
| 207 | VCKYTV1HB102K | AA | | C | Capacitor(50WV 1000PF) [R138] |
| 208 | VRSTS2AD4752F | AA | | C | Resistor(1/10W 47.5KΩ ±1%) [R139] |
| 209 | VRS-TS2AD000J | AA | | C | Resistor(1/10W 0Ω ±5%) [R140] |
| 210 | VCKYTV1HB102K | AA | | C | Capacitor(50WV 1000PF) [R141] |
| 211 | VRS-TS2AD151J | AA | | C | Resistor(1/10W 150Ω ±5%) [R142] |
| 212 | VRS-TS2AD471J | AA | | C | Resistor(1/10W 470Ω ±5%) [R143] |
| 213 | VRS-TS2AD151J | AA | | C | Resistor(1/10W 150Ω ±5%) [R144] |
| 214 | VRS-TS2AD101J | AA | | C | Resistor(1/10W 100Ω ±5%) [R145] |
| 215 | VRS-TS2AD101J | AA | | C | Resistor(1/10W 100Ω ±5%) [R146] |
| 216 | VRS-TS2AD471J | AA | | C | Resistor(1/10W 470Ω ±5%) [R147] |
| 217 | VRS-TS2AD103J | AA | | C | Resistor(1/10W 10KΩ ±5%) [R148] |
| 218 | VRS-TS2AD303J | AA | | C | Resistor(1/10W 30KΩ ±5%) [R149] |
| 219 | VRS-TS2AD103J | AA | | C | Resistor(1/10W 10KΩ ±5%) [R150][310H/730H] |
| 220 | VRS-TS2AD271J | AA | | C | Resistor(1/10W 270Ω ±5%) [R151] |
| 221 | VRS-TS2AD271J | AA | | C | Resistor(1/10W 270Ω ±5%) [R152] |
| 222 | VRS-TS2AD102J | AA | | C | Resistor(1/10W 1KΩ ±5%) [R153] |
| 223 | VRS-TS2AD223J | AA | | C | Resistor(1/10W 22KΩ ±5%) [R154] |
| 224 | VRS-TS2AD3R0J | AA | | C | Resistor(1/10W 3.0Ω ±5%) [R155] |
| 225 | VRS-TS2AD332J | AA | | C | Resistor(1/10W 3.3KΩ ±5%) [R156] |
| 226 | VRS-TS2AD303J | AA | | C | Resistor(1/10W 30KΩ ±5%) [R157] |
| 227 | VRS-TS2AD471J | AA | | C | Resistor(1/10W 470Ω ±5%) [R158] |
| 228 | VRS-TS2AD303J | AA | | C | Resistor(1/10W 30KΩ ±5%) [R159] |
| 229 | VRS-TS2AD303J | AA | | C | Resistor(1/10W 30KΩ ±5%) [R160] |
| 230 | VRS-TS2AD471J | AA | | C | Resistor(1/10W 470Ω ±5%) [R161] |
| 231 | VRS-TS2AD103J | AA | | C | Resistor(1/10W 10KΩ ±5%) [R162] |
| 232 | VRS-TS2AD101J | AA | | C | Resistor(1/10W 100Ω ±5%) [R163] |
| 233 | VRS-TS2AD203J | AA | | C | Resistor(1/10W 20KΩ ±5%) [R164] |
| 234 | VRS-TS2AD474J | AA | | C | Resistor(1/10W 470KΩ ±5%) [R165] |
| 235 | VRS-TS2AD103J | AA | | C | Resistor(1/10W 10KΩ ±5%) [R166] |
| 236 | VRS-TS2AD303J | AA | | C | Resistor(1/10W 30KΩ ±5%) [R167] |
| 237 | VRS-TS2AD102J | AA | | C | Resistor(1/10W 1KΩ ±5%) [R168] |
| 238 | VRS-TS2AD471J | AA | | C | Resistor(1/10W 470Ω ±5%) [R169] |
| 239 | VRS-TS2AD302J | AA | | C | Resistor(1/10W 3KΩ ±5%) [R170] |

| NO. | PARTS CODE | PRICE RANK | NEW MARK | PART RANK | DESCRIPTION | |
|----------------------|---------------|------------|----------|-----------|------------------------------|--------|
| [7] Control PWB unit | | | | | | |
| 240 | VRS-TS2AD104J | AA | | C | Resistor(1/10W 100KΩ ±5%) | [R171] |
| 241 | VRS-TS2AD224J | AA | | C | Resistor(1/10W 220KΩ ±5%) | [R172] |
| 242 | VRS-TS2AD203J | AA | | C | Resistor(1/10W 20KΩ ±5%) | [R173] |
| 243 | VRS-TS2AD102J | AA | | C | Resistor(1/10W 1KΩ ±5%) | [R174] |
| 244 | VRS-TS2AD203J | AA | | C | Resistor(1/10W 20KΩ ±5%) | [R175] |
| 245 | VRS-TS2AD333J | AA | | C | Resistor(1/10W 33KΩ ±5%) | [R180] |
| 246 | VRS-TS2AD333J | AA | | C | Resistor(1/10W 33KΩ ±5%) | [R181] |
| 247 | VRS-TS2AD000J | AA | | C | Resistor(1/10W 0Ω ±5%) | [R182] |
| 248 | VRS-TS2AD471J | AA | | C | Resistor(1/10W 470Ω ±5%) | [R183] |
| 249 | VRS-TS2AD471J | AA | | C | Resistor(1/10W 470Ω ±5%) | [R184] |
| 250 | VRS-TS2AD471J | AA | | C | Resistor(1/10W 470Ω ±5%) | [R185] |
| 251 | VRS-TS2AD303J | AA | | C | Resistor(1/10W 30KΩ ±5%) | [R186] |
| 252 | VRS-TS2AD303J | AA | | C | Resistor(1/10W 30KΩ ±5%) | [R187] |
| 253 | VRS-TS2AD101J | AA | | C | Resistor(1/10W 100Ω ±5%) | [R188] |
| 254 | VRS-TS2AD103J | AA | | C | Resistor(1/10W 10KΩ ±5%) | [R189] |
| 255 | VRS-TS2AD101J | AA | | C | Resistor(1/10W 100Ω ±5%) | [R190] |
| 256 | VRS-TS2AD101J | AA | | C | Resistor(1/10W 100Ω ±5%) | [R191] |
| 257 | VRS-TS2AD102J | AA | | C | Resistor(1/10W 1KΩ ±5%) | [R192] |
| 258 | VRS-TS2AD000J | AA | | C | Resistor(1/10W 0Ω ±5%) | [R193] |
| 259 | VRS-TS2AD000J | AA | | C | Resistor(1/10W 0Ω ±5%) | [R194] |
| 260 | VRSTS2AD1183F | AA | | C | Resistor(1/10W 118KΩ ±1%) | [R195] |
| 261 | VRS-TS2AD102J | AA | | C | Resistor(1/10W 1KΩ ±5%) | [R197] |
| 262 | VRS-TS2AD000J | AA | | C | Resistor(1/10W 0Ω ±5%) | [R198] |
| 263 | VRSTS2AD1742F | AA | | C | Resistor(1/10W 17.4KΩ ±1%) | [R200] |
| 264 | VRSTS2AD8662F | AA | | C | Resistor(1/10W 86.6KΩ ±1%) | [R203] |
| 265 | VRS-TS2AD512J | AA | | C | Resistor(1/10W 5.1KΩ ±5%) | [R207] |
| 266 | VRS-TS2AD203J | AA | | C | Resistor(1/10W 20KΩ ±5%) | [R208] |
| 267 | VRS-TS2AD333J | AA | | C | Resistor(1/10W 33KΩ ±5%) | [R209] |
| 268 | VRS-TS2AD224J | AA | | C | Resistor(1/10W 220KΩ ±5%) | [R210] |
| 269 | VRS-TS2AD106J | AA | | C | Resistor(1/10W 10MΩ ±5%) | [R211] |
| 270 | VRS-TS2AD121J | AA | | C | Resistor(1/10W 120Ω ±5%) | [R212] |
| 271 | VRSTS2AD1183F | AA | | C | Resistor(1/10W 118KΩ ±1%) | [R213] |
| 272 | VRS-TS2AD203J | AA | | C | Resistor(1/10W 20KΩ ±5%) | [R215] |
| 273 | VRS-TS2AD203J | AA | | C | Resistor(1/10W 20KΩ ±5%) | [R216] |
| 274 | VRSTS2AD8662F | AA | | C | Resistor(1/10W 86.6KΩ ±1%) | [R217] |
| 275 | VRS-TS2AD332J | AA | | C | Resistor(1/10W 3.3KΩ ±5%) | [R218] |
| 276 | VRS-TS2AD103J | AA | | C | Resistor(1/10W 10KΩ ±5%) | [R219] |
| 277 | VRS-TS2AD302J | AA | | C | Resistor(1/10W 3KΩ ±5%) | [R220] |
| 278 | VRS-TS2AD221J | AA | | C | Resistor(1/10W 220Ω ±5%) | [R221] |
| 279 | VRS-TS2AD000J | AA | | C | Resistor(1/10W 0Ω ±5%) | [R224] |
| 280 | VRS-TS2AD303J | AA | | C | Resistor(1/10W 30KΩ ±5%) | [R225] |
| 281 | VRS-TS2AD000J | AA | | C | Resistor(1/10W 0Ω ±5%) | [R228] |
| 282 | VRS-TS2AD101J | AA | | C | Resistor(1/10W 100Ω ±5%) | [R229] |
| 283 | VRS-TS2AD000J | AA | | C | Resistor(1/10W 0Ω ±5%) | [R230] |
| 284 | VRS-TS2AD271J | AA | | C | Resistor(1/10W 270Ω ±5%) | [R231] |
| 285 | VRS-TS2AD103J | AA | | C | Resistor(1/10W 10KΩ ±5%) | [R232] |
| 286 | RR-TZ3017SCZZ | AC | N | C | Block resistor(270Ωx4) | [RA1] |
| 287 | RR-TZ3018SCZZ | AC | N | C | Block resistor(470Ωx4) | [RA2] |
| 288 | RR-TZ3017SCZZ | AC | N | C | Block resistor(270Ωx4) | [RA3] |
| 289 | RR-TZ3017SCZZ | AC | N | C | Block resistor(270Ωx4) | [RA4] |
| 290 | RR-TZ3017SCZZ | AC | N | C | Block resistor(270Ωx4) | [RA5] |
| 291 | RR-TZ3017SCZZ | AC | N | C | Block resistor(270Ωx4) | [RA6] |
| 292 | RR-TZ3018SCZZ | AC | N | C | Block resistor(470Ωx4) | [RA7] |
| 293 | RR-TZ3017SCZZ | AC | N | C | Block resistor(270Ωx4) | [RA8] |
| 294 | RR-TZ3017SCZZ | AC | N | C | Block resistor(270Ωx4) | [RA9] |
| 295 | RR-TZ3017SCZZ | AC | N | C | Block resistor(270Ωx4) | [RA10] |
| 296 | RR-TZ3017SCZZ | AC | N | C | Block resistor(270Ωx4) | [RA11] |
| 297 | RR-TZ3012SCJ0 | AB | N | C | Block resistor(100Ωx4) | [RA12] |
| 298 | RR-TZ3018SCZZ | AC | N | C | Block resistor(470Ωx4) | [RA13] |
| 299 | RR-TZ3012SCJ0 | AB | N | C | Block resistor(100Ωx4) | [RA14] |
| 300 | RRLYD3130SCZZ | AN | | B | Relay | [RY1] |
| 301 | QSW-M2259XHZZ | AF | | B | Cover switch | [SW1] |
| 302 | RCRSQ1005LCZZ | AE | | B | Crystal(19.66MHz) | [X1] |
| 303 | RCRSB2122SCZZ | AH | | B | Crystal(24.00014MHz) | [X2] |
| 304 | RCRSB0297AFZZ | AD | | B | Crystal(32.768kHz) | [X3] |
| | (Unit) | | | | | |
| 901 | DCEKC482LFFHS | | N | E | Control PWB unit(Within ROM) | [370] |
| | DCEKC386LFFHS | | N | E | Control PWB unit(Within ROM) | [310] |
| | DCEKC284LFFHS | | N | E | Control PWB unit(Within ROM) | [730] |
| [8] TEL-Liu PWB unit | | | | | | |
| 1 | VHVRA501PV6-1 | AE | | B | Varistor(RA-501P-V6-2) | [AR1] |
| 2 | VHVRA501PV6-1 | AE | | B | Varistor(RA-501P-V6-2) | [AR2] |
| 3 | VCQYNA1HM474K | AE | | C | Capacitor(50WV 0.47μF) | [C3] |
| 4 | VCEAGA1EW476M | AA | | C | Capacitor(25WV 47μF) | [C7] |
| 5 | VCEAGA1HW334M | AC | | C | Capacitor(50WV 0.33μF) | [C8] |
| 6 | RC-FZ2012SCZZ | AE | | C | Capacitor(250WV 1.8μF) | [C9] |
| 7 | RC-EZ476NSC1A | AB | | C | Capacitor(10WV 47μF) | [C10] |
| 8 | VCEAGA1HW106M | AA | | C | Capacitor(50WV 10μF) | [C11] |
| 9 | VCEAGA1HW335M | AB | | C | Capacitor(50WV 3.3μF) | [C12] |

| NO. | PARTS CODE | PRICE RANK | NEW MARK | PART RANK | DESCRIPTION |
|----------------------|---------------|------------|----------|-----------|--------------------------------|
| [8] TEL-Liu PWB unit | | | | | |
| 10 | VCEAGA1EW476M | AA | | C | Capacitor(25WV 47μF) [C13] |
| 11 | VCEAEA1HW226M | AB | | C | Capacitor(50WV 22μF) [C14] |
| 12 | VCEAEA1EW476M | AB | | C | Capacitor(25WV 47μF) [C15] |
| 13 | VCEAEA1HW106M | AA | | C | Capacitor(50WV 10μF) [C16] |
| 14 | VCEAEA1HW106M | AA | | C | Capacitor(50WV 10μF) [C17] |
| 15 | VCKYPU1HB102K | AA | | C | Capacitor(50WV 1000PF) [C20] |
| 16 | VCKYTQ1HB473K | AA | | C | Capacitor(50WV 0.047μF) [C101] |
| 17 | VCKYTQ1EB224K | AB | | C | Capacitor(25WV 0.22μF) [C102] |
| 18 | VCKYTQ1EB104K | AA | | C | Capacitor(25WV 0.1μF) [C103] |
| 19 | VCKYTV1HB102K | AA | | C | Capacitor(50WV 1000PF) [C104] |
| 20 | VCKYTV1HB103K | AB | | C | Capacitor(50WV 0.01μF) [C105] |
| 21 | VCKYTQ1HB563K | AA | | C | Capacitor(50WV 0.056μF) [C106] |
| 22 | VCKYTV1EF104Z | AA | | C | Capacitor(25WV 0.1μF) [C107] |
| 23 | VCKYTV1HB272K | AA | | C | Capacitor(50WV 2700PF) [C108] |
| 24 | VCKYTV1HB472K | AA | | C | Capacitor(50WV 4700PF) [C110] |
| 25 | VCKYTQ1HB103K | AA | | C | Capacitor(50WV 0.01μF) [C111] |
| 26 | VCKYTV1HB221K | AA | | C | Capacitor(50WV 220PF) [C112] |
| 27 | VCKYTV1EF104Z | AA | | C | Capacitor(25WV 0.1μ) [C114] |
| 28 | VCKYTQ1HB223K | AB | | C | Capacitor(50WV 0.022μ) [C116] |
| 29 | VCKYTV1EB104K | AA | | C | Capacitor(25WV 0.1μF) [C117] |
| 30 | VCKYTV1EF104Z | AA | | C | Capacitor(25WV 0.1μF) [C118] |
| 31 | VCKYTV1HB102K | AA | | C | Capacitor(50WV 1000PF) [C121] |
| 32 | VCKYTV1EB104K | AA | | C | Capacitor(25WV 0.1μF) [C123] |
| 33 | VCKYTV1HB331K | AA | | C | Capacitor(50WV 330PF) [C124] |
| 34 | VCKYTV1EB104K | AA | | C | Capacitor(25WV 0.1μF) [C125] |
| 35 | VCKYTV1HF223Z | AA | | C | Capacitor(50WV 0.022μF) [C126] |
| 36 | VCKYTV1EF104Z | AA | | C | Capacitor(25WV 0.1μF) [C127] |
| 37 | VCKYTV1HB102K | AA | | C | Capacitor(50WV 1000PF) [C128] |
| 38 | VCKYTV1HB103K | AB | | C | Capacitor(50WV 0.01μF) [C129] |
| 39 | VCKYTV1HB822K | AA | | C | Capacitor(50WV 8200PF) [C130] |
| 40 | VCKYTV1HB103K | AB | | C | Capacitor(50WV 0.01μF) [C132] |
| 41 | VCKYTV1HB103K | AB | | C | Capacitor(50WV 0.01μF) [C133] |
| 42 | VCKYTV1HB103K | AB | | C | Capacitor(50WV 0.01μF) [C144] |
| 43 | VCKYTV1HB103K | AB | | C | Capacitor(50WV 0.01μF) [C145] |
| 44 | VCKYTV1HF223Z | AA | | C | Capacitor(50WV 0.022μF) [C146] |
| 45 | RRLYZ3427SCZZ | AN | | B | Relay [CML] |
| 46 | QJAKZ2070SC0D | AF | | C | Jack [CNHJ] |
| 47 | QCNCW2509SC1B | | N | C | Connector(12pin) [CNLIUA] |
| 48 | QCNCW2509SC0F | AD | N | C | Connector(6pin) [CNLIUB] |
| 49 | QJAKZ2069SCDD | | N | C | Jack [CNLNJ] |
| 50 | VHDDSS131//1 | AA | | B | Diode(1SS131) [D1] |
| 51 | VHD1SS82//1 | AB | | B | Diode(1SS82) [D3] |
| 52 | VHDDSS133//1 | AA | | B | Diode(1SS133) [D5] |
| 53 | WHITEA1062A-1 | AR | | B | IC(TEA1062A) [IC1] |
| 54 | VHINJM2904M-2 | AG | | B | IC(NJM2904M) [IC101] |
| 55 | VHINJM2904M-2 | AG | | B | IC(NJM2904M) [IC102] |
| 56 | VRS-TS2AD000J | AA | | C | Resistor(1/10W 0Ω ±5%) [JP101] |
| 57 | VRS-TP2BD000J | AA | | C | Resistor(1/8W 0Ω ±5%) [JP104] |
| 58 | VRS-TP2BD000J | AA | | C | Resistor(1/8W 0Ω ±5%) [JP107] |
| 59 | VRS-TS2AD000J | AA | | C | Resistor(1/10W 0Ω ±5%) [JP109] |
| 60 | VRS-TS2AD000J | AA | | C | Resistor(1/10W 0Ω ±5%) [JP110] |
| 61 | VRS-TS2AD000J | AA | | C | Resistor(1/10W 0Ω ±5%) [JP111] |
| 62 | RFILN2027XHZZ | AC | | C | Coil(R-5C) [L1A] |
| 63 | RFILN2027XHZZ | AC | | C | Coil(R-5C) [L1B] |
| 64 | RFILN2027XHZZ | AC | | C | Coil(R-5C) [L2A] |
| 65 | RFILN2027XHZZ | AC | | C | Coil(R-5C) [L2B] |
| 66 | RFILN2027XHZZ | AC | | C | Coil(R-5C) [L3A] |
| 67 | RFILN2027XHZZ | AC | | C | Coil(R-5C) [L3B] |
| 68 | RFILN2027XHZZ | AC | | C | Coil(R-5C) [L4A] |
| 69 | RFILN2027XHZZ | AC | | C | Coil(R-5C) [L4B] |
| 70 | VHPTLP521-1BL | AE | | B | Photo coupler(TLP521) [PC2] |
| 71 | VHPTLP620//1 | AF | | B | Photo coupler(TLP620) [PC3] |
| 72 | VHPTLP627//1 | AH | | B | Photo coupler(TLP627) [PC4] |
| 73 | VHPTLP521-1BL | AE | | B | Photo coupler(TLP521) [PC5] |
| 74 | VHPTLP521-1BL | AE | | B | Photo coupler(TLP521) [PC6] |
| 75 | VHPTLP521-1BL | AE | | B | Photo coupler(TLP521) [PC7] |
| 76 | VHPTLP521-1BL | AE | | B | Photo coupler(TLP521) [PC9] |
| 77 | VHPTLP521-1BL | AE | | B | Photo coupler(TLP521) [PC10] |
| 78 | VHPSG206S//1 | AG | | B | Photo transistor(SG206S) [PE] |
| 79 | VHPSG206S//1 | AG | | B | Photo transistor(SG206S) [PIN] |
| 80 | VS2SA1807-P-1 | AE | | B | Transistor(2SA1807P) [Q1] |
| 81 | VS2SC4061K/-1 | AC | | B | Transistor(2SC4061K) [Q103] |
| 82 | VS2SA1037KR-1 | AB | | B | Transistor(2SA1037KR) [Q105] |
| 83 | VS2SC2412KR-1 | AD | | B | Transistor(2SC2412K) [Q106] |
| 84 | VS2SC2412KR-1 | AD | | B | Transistor(2SC2412K) [Q107] |
| 85 | VSDTC114EK/-1 | AB | | B | Transistor(DTC114EK) [Q112] |
| 86 | VS2SJ106GR/-1 | AD | | B | FET(2SJ106GR) [Q113] |
| 87 | VSDTC114EK/-1 | AB | | B | Transistor(DTC114EK) [Q115] |
| 88 | VSDTC114EK/-1 | AB | | B | Transistor(DTC114EK) [Q116] |
| 89 | VSDTC114EK/-1 | AB | | B | Transistor(DTC114EK) [Q117] |

| NO. | PARTS CODE | PRICE RANK | NEW MARK | PART RANK | DESCRIPTION | |
|----------------------|----------------|------------|----------|-----------|----------------------------|--------|
| [8] TEL-Liu PWB unit | | | | | | |
| 90 | VSDFC114EK/-1 | AB | | B | Transistor(DTC114EK) | [Q118] |
| 91 | VSDFC114EK/-1 | AB | | B | Transistor(DTC114EK) | [Q119] |
| 92 | VRS-HT3AA560J | AA | | C | Resistor(1W 56Ω ±5%) | [R1] |
| 93 | VRD-HT2HY200J | AA | | C | Resistor(1/2W 20Ω ±5%) | [R2] |
| 94 | VRD-HT2HY114J | AB | | C | Resistor(1/2W 11KΩ ±5%) | [R3] |
| 95 | VRS-HT3AA103J | AA | | C | Resistor(1W 10KΩ ±5%) | [R4] |
| 96 | VRD-HT2HY101J | AA | | C | Resistor(1/2W 100Ω ±5%) | [R5] |
| 97 | VRS-TS2AD104J | AA | | C | Resistor(1/10W 100KΩ ±5%) | [R101] |
| 98 | VRS-TS2AD392J | AA | | C | Resistor(1/10W 3.9KΩ ±5%) | [R102] |
| 99 | VRS-TS2AD134J | AA | | C | Resistor(1/10W 130KΩ ±5%) | [R103] |
| 100 | VRS-TS2AD000J | AA | | C | Resistor(1/10W 0Ω ±5%) | [R104] |
| 101 | VRS-TS2AD471J | AA | | C | Resistor(1/10W 470Ω ±5%) | [R105] |
| 102 | VRS-TS2AD681J | AA | | C | Resistor(1/10W 680Ω ±5%) | [R106] |
| 103 | VRS-TS2AD682J | AA | | C | Resistor(1/10W 6.8KΩ ±5%) | [R107] |
| 104 | VRS-TS2AD000J | AA | | C | Resistor(1/10W 0Ω ±5%) | [R108] |
| 105 | VRS-TS2AD000J | AA | | C | Resistor(1/10W 0Ω ±5%) | [R111] |
| 106 | VRS-TS2AD102J | AA | | C | Resistor(1/10W 1KΩ ±5%) | [R112] |
| 107 | VRS-TS2AD162J | AA | | C | Resistor(1/10W 1.6KΩ ±5%) | [R113] |
| 108 | VRS-TS2AD000J | AA | | C | Resistor(1/10W 0Ω ±5%) | [R115] |
| 109 | RCILZ2144SCZZ | | N | C | Coil(Z2144) | [R116] |
| 110 | VRS-TS2AD224J | AA | | C | Resistor(1/10W 220KΩ ±5%) | [R117] |
| 111 | RCILZ2144SCZZ | | N | C | Coil(Z2144) | [R119] |
| 112 | VRS-TS2AD910J | AA | | C | Resistor(1/10W 91Ω ±5%) | [R120] |
| 113 | VRS-TS2AD472J | AA | | C | Resistor(1/10W 4.7KΩ ±5%) | [R121] |
| 114 | VRS-TS2AD000J | AA | | C | Resistor(1/10W 0Ω ±5%) | [R122] |
| 115 | VRS-TS2AD000J | AA | | C | Resistor(1/10W 0Ω ±5%) | [R123] |
| 116 | VRS-TS2AD124J | AA | | C | Resistor(1/10W 120KΩ ±5%) | [R124] |
| 117 | VRS-TS2AD332J | AA | | C | Resistor(1/10W 3.3KΩ ±5%) | [R129] |
| 118 | VRS-TS2AD683J | AA | | C | Resistor(1/10W 68KΩ ±5%) | [R130] |
| 119 | VRS-TS2AD683J | AA | | C | Resistor(1/10W 68KΩ ±5%) | [R131] |
| 120 | VRS-TS2AD153J | AA | | C | Resistor(1/10W 15KΩ ±5%) | [R133] |
| 121 | VRS-TS2AD104J | AA | | C | Resistor(1/10W 100KΩ ±5%) | [R134] |
| 122 | VRS-TS2AD104J | AA | | C | Resistor(1/10W 100KΩ ±5%) | [R135] |
| 123 | VRS-TS2AD753J | AA | | C | Resistor(1/10W 75KΩ ±5%) | [R137] |
| 124 | VRS-TS2AD000J | AA | | C | Resistor(1/10W 0Ω ±5%) | [R138] |
| 125 | VRS-TS2AD623J | AA | | C | Resistor(1/10W 62KΩ ±5%) | [R139] |
| 126 | VRS-TS2AD154J | AA | | C | Resistor(1/10W 150KΩ ±5%) | [R140] |
| 127 | VRS-TS2AD104J | AA | | C | Resistor(1/10W 100KΩ ±5%) | [R141] |
| 128 | VRS-TS2AD203J | AA | | C | Resistor(1/10W 20KΩ ±5%) | [R142] |
| 129 | VRS-TS2AD162J | AA | | C | Resistor(1/10W 1.6KΩ ±5%) | [R143] |
| 130 | VRS-TS2AD000J | AA | | C | Resistor(1/10W 0Ω ±5%) | [R144] |
| 131 | VRS-TS2AD471J | AA | | C | Resistor(1/10W 470Ω ±5%) | [R145] |
| 132 | VRS-TS2AD203J | AA | | C | Resistor(1/10W 20KΩ ±5%) | [R146] |
| 133 | VRS-TS2AD203J | AA | | C | Resistor(1/10W 20KΩ ±5%) | [R147] |
| 134 | VRS-TS2AD202J | AA | | C | Resistor(1/10W 2KΩ ±5%) | [R148] |
| 135 | VRS-TS2AD203J | AA | | C | Resistor(1/10W 20KΩ ±5%) | [R149] |
| 136 | VRS-TS2AD103J | AA | | C | Resistor(1/10W 10KΩ ±5%) | [R150] |
| 137 | VRS-TS2AD203J | AA | | C | Resistor(1/10W 20KΩ ±5%) | [R151] |
| 138 | VRS-TS2AD683J | AA | | C | Resistor(1/10W 68KΩ ±5%) | [R152] |
| 139 | VRS-TS2AD471J | AA | | C | Resistor(1/10W 470Ω ±5%) | [R153] |
| 140 | VRS-TS2AD433J | AA | | C | Resistor(1/10W 43KΩ ±5%) | [R154] |
| 141 | VRS-TS2AD241J | AA | | C | Resistor(1/10W 240Ω ±5%) | [R155] |
| 142 | VRS-TS2AD203J | AA | | C | Resistor(1/10W 20KΩ ±5%) | [R156] |
| 143 | VRS-TS2AD134J | AA | | C | Resistor(1/10W 130KΩ ±5%) | [R157] |
| 144 | VRS-TS2AD104J | AA | | C | Resistor(1/10W 100KΩ ±5%) | [R159] |
| 145 | VRS-TS2AD203J | AA | | C | Resistor(1/10W 20KΩ ±5%) | [R160] |
| 146 | VRS-TS2AD471J | AA | | C | Resistor(1/10W 470Ω ±5%) | [R161] |
| 147 | VRS-TS2AD203J | AA | | C | Resistor(1/10W 20KΩ ±5%) | [R162] |
| 148 | VRS-TS2AD471J | AA | | C | Resistor(1/10W 470Ω ±5%) | [R163] |
| 149 | VRS-TS2AD131J | AA | | C | Resistor(1/10W 130Ω ±5%) | [R164] |
| 150 | VRS-TS2AD332J | AA | | C | Resistor(1/10W 3.3KΩ ±5%) | [R165] |
| 151 | VRS-TS2AD332J | AA | | C | Resistor(1/10W 3.3KΩ ±5%) | [R166] |
| 152 | VRS-TS2AD123J | AA | | C | Resistor(1/10W 12KΩ ±5%) | [R171] |
| 153 | VRSTS2AD3651F | AA | | C | Resistor(1/10W 3.65KΩ ±1%) | [R172] |
| 154 | VRS-TS2AD820J | AA | | C | Resistor(1/10W 82Ω ±5%) | [R173] |
| 155 | VRS-TS2AD122J | AA | | C | Resistor(1/10W 1.2KΩ ±5%) | [R174] |
| 156 | VRS-TS2AD102J | AA | | C | Resistor(1/10W 1.0KΩ ±5%) | [R175] |
| 157 | VRS-TS2AD104J | AA | | C | Resistor(1/10W 100KΩ ±5%) | [R179] |
| 158 | VRS-TS2AD000J | AA | | C | Resistor(1/10W 0Ω ±5%) | [R180] |
| 159 | VRS-TS2AD102J | AA | | C | Resistor(1/10W 1.0KΩ ±5%) | [R184] |
| 160 | VRS-TS2AD100J | AA | | C | Resistor(1/10W 10Ω ±5%) | [R185] |
| 161 | VHD0R5G4B42-1S | AF | | B | Diode bridge(0R5G4B42) | [REC1] |
| 162 | QSW-S1359CCZZ | AD | | B | Short switch | [SW1] |
| 163 | QSW-Z2264XHZZ | | | B | Hook switch | [SW2] |
| 164 | RTRNI2142XHZZ | AR | | B | Transformer(I2142) | [T1] |
| 165 | RTRNZ2140XHZZ | AN | | B | Transformer(Z2140) | [T2] |
| 166 | VHVTN07G101-1 | AB | | B | Varistor(TNR7G101K) | [VA1] |
| 167 | VHEMTZJ5R6B-1 | AB | | B | Zener diode(MTZJ5R6B) | [ZD1] |
| 168 | VHEMTZJ300B-1 | AA | | B | Zener diode(MTZJ30B) | [ZD2] |
| 169 | VHE1ZC15///-1 | AC | | B | Zener diode(1ZC15) | [ZD3] |

| NO. | PARTS CODE | PRICE RANK | NEW MARK | PART RANK | DESCRIPTION |
|----------------------------------|-------------------------|------------|----------|-----------|--|
| [8] TEL-Liu PWB unit | | | | | |
| 170 | VHEHVS3B1//1 | AC | | B | Zener diode(HZS3B1) [ZD6] |
| 171 | VHEHVS3B1//1 | AC | | B | Zener diode(HZS3B1) [ZD7] |
| 172 | VHEMTZJ3R0B-1 | AC | | B | Zener diode(MTZJ3R0B) [ZD8] |
| 173 | VHEMTZJ100B-1 | AC | | B | Zener diode(MTZJ10B) [ZD9] |
| 174 | VHEMTZJ3R9B-1 | AC | N | B | Zener diode(MTZJ3R9B) [ZD10] |
| 175 | VHEMTZJ3R9B-1 | AC | N | B | Zener diode(MTZJ3R9B) [ZD11] |
| 176 | VHEHZ2A1///-1 | AC | | B | Zener diode(HZ2A1) [ZD12] |
| 177 | VHEHZ2A1///-1 | AC | | B | Zener diode(HZ2A1) [ZD13] |
| 178 | VHEHZ2A1///-1 | AC | | B | Zener diode(HZ2A1) [ZD14] |
| 179 | VHEHZ2A1///-1 | AC | | B | Zener diode(HZ2A1) [ZD15] |
| 180 | QCNW-3624FF15 (Unit) | | N | C | Jumper cable |
| 901 | DCEKL459BFF01 | | N | E | TEL-Liu PWB unit |
| [9] Power supply PWB unit | | | | | |
| 1 | 0CBUGFM224KR/ | AF | N | C | Capacitor(RE224-C) [C1] |
| 2 | 0CBUGZ1186ZZ/ | AL | N | C | Capacitor(KMF400VB-39M 18x20) [C2] |
| 3 | 0CBUGZ1187ZZ/ | AD | N | C | Capacitor(DE1407-477SL471J2K) [C3] |
| 4 | 0CBUGFF472BQ/ | AC | N | C | Capacitor(AMZ-472K50) [C4] |
| 5 | 0CBUGFF223JS/ | AC | N | C | Capacitor(ECQB1H223KM3) [C5] |
| 6 | 0CBUGCM332BJ/ | AF | N | C | Capacitor(DE1410-1E332M-KX) [C7] |
| 7 | 0CBUGAE331TS/ | AH | N | C | Capacitor(LXJ35VB330(M)) [C8] |
| 8 | 0CBUGFF474JA/ | AF | N | C | Capacitor(ECQV1H474JL3) [C9] |
| 9 | 0CBUGZ1188ZZ/ | AK | N | C | Capacitor(16YXG2200M(10X28L)) [C10] |
| 10 | 0CBUGCF104CQ/ | AD | N | C | Capacitor(UP050F104Z-B) [C11] |
| 11 | 0CBUGCS101AA/ | AD | N | C | Capacitor(DD05-989B101K500) [C13] |
| 12 | 0CBUGFM104KD/ | AF | N | C | Capacitor(PA104-ZC) [C15] |
| 13 | 0CBUGAB101RV/ | AF | N | C | Capacitor(KME10VB100(M)) [C16] |
| 14 | 0CBUGFF102BQ/ | AD | N | C | Capacitor(AMZ-102K50) [C17] |
| 15 | 0CBPZZ0931ZZ/ | AH | N | C | Connector(1MSA-9110S-09L) [CN1] |
| 16 | 0CBPKZ0194ZZ/ | AC | | C | Base post assy(B 2P3-VH) [CN2] |
| 17 | 0CBUBC0125DK/ | AD | N | B | Diode(ERA15-06) [D1] |
| 18 | 0CBUBC0125DK/ | AD | N | B | Diode(ERA15-06) [D2] |
| 19 | 0CBUBC0125DK/ | AD | N | B | Diode(ERA15-06) [D3] |
| 20 | 0CBUBC0125DK/ | AD | N | B | Diode(ERA15-06) [D4] |
| 21 | 0CBUBA0011AL/ | AD | N | B | Diode(1SS133) [D5] |
| 22 | 0CBUBC0336AZ/ | AL | | B | Diode(S3L20U-4004P15) [D7] |
| 23 | 0CBUBC0302BZ/ | AE | | B | Diode(SR140) [D8] |
| 24 | 0CBPJCEJ1601/ | AH | N | A | Current fuse(21501.6 ME600) [F1] |
| 25 | 0CBPJCEJ1601/ | AH | N | A | Current fuse(21501.6 ME600) [F2] |
| 26 | 0CBPZZ0906ZZ/ | AH | | A | Circuit protect chip(CCP2E100) [F3] |
| 27 | 0CBUCB0167AZ/ | AR | | B | IC(UPC29M05HF) [IC1] |
| 28 | 0CBUKZ0826ZZ/ | AK | | C | Filter(ELF15N003A) [L1] |
| 29 | 0CBUZZ0156ZZ/ | AN | N | C | Coil(RS208) [L2] |
| 30 | 0CBLRZ6581ZN/ | AQ | N | C | Heat sink [MT1] |
| 31 | 0CBLRZ6562ZN/ | AQ | N | C | Heat sink [MT2] |
| 32 | 0CBUDC0163CZ/ | AG | N | B | Photo coupler(PC123YS) [PC1] |
| 33 | 0CBUDC0163CZ/ | AG | N | B | Photo coupler(PC123YS) [PC2] |
| 34 | 0CBUAG0161AC/ | AQ | N | B | FET(FS5KM-18A AN) [Q1] |
| 35 | 0CBUAC0264AZ/ | AD | | B | Transistor(2SC1741AS QR) [Q2] |
| 36 | 0CBUAC0034EZ/ | AE | | B | Transistor(2SC1740S) [Q3] |
| 37 | 0CBUAC0034EZ/ | AE | | B | Transistor(2SC1740S) [Q4] |
| 38 | 0CBUAC0284BK/ | AF | N | B | Transistor(2SC2710) [Q5] |
| 39 | 0CBUAC0284BK/ | AF | N | B | Transistor(2SC2710) [Q6] |
| 40 | 0CBUEEC335CF/ | AC | N | C | Resistor(RD50SS-335J) [R1] |
| 41 | 0CBUEEB824CF/ | AC | N | C | Resistor(RD50SS-824J) [R2] |
| 42 | 0CBUEEB824CF/ | AC | N | C | Resistor(RD50SS-824J) [R3] |
| 43 | 0CBUEEB101CT/ | AC | | C | Resistor(RD16S 101J) [R4] |
| 44 | 0CBUEEB152CT/ | AC | N | C | Resistor(RD16S 152J) [R5] |
| 45 | 0CBUEEB223CT/ | AC | | C | Resistor(RD16S 223J) [R6] |
| 46 | 0CBUEEB330CT/ | AC | N | C | Resistor(RD16S 330J) [R7] |
| 47 | 0CBUEEB473CT/ | AC | N | C | Resistor(RD16S 473J) [R8] |
| 48 | 0CBUEEB471CT/ | AC | | C | Resistor(RD16S 471J) [R9] |
| 49 | 0CBUEFDR33DB/ | AE | N | C | Resistor(RSMF1TBR33G) [R10] |
| 50 | 0CBUEEB390CT/ | AC | N | C | Resistor(RD16S 390J) [R11] |
| 51 | 0CBUEEB334CT/ | AC | | C | Resistor(RD16S 334J) [R12] |
| 52 | 0CBUEEB472CT/ | AC | | C | Resistor(RD16S 472J) [R13] |
| 53 | 0CBUEEB682CT/ | AC | | C | Resistor(RD16S 682J) [R16] |
| 54 | 0CBUEEB242CT/ | AC | | C | Resistor(RD16S 242J) [R17] |
| 55 | 0CBUEEB392CT/ | AC | | C | Resistor(RD16S-392J) [R18] |
| 56 | 0CBUEEB472CT/ | AC | | C | Resistor(RD16S 472J) [R19] |
| 57 | 0CBUEEB472CT/ | AC | | C | Resistor(RD16S 472J) [R20] |
| 58 | 0CBUEEC272CF/ | AC | N | C | Resistor(RD50SS 272J) [R21] |
| 59 | 0CBUEEC272CF/ | AC | N | C | Resistor(RD50SS 272J) [R22] |
| 60 | 0CB829585032/ | BE | N | B | Transformer(PTTN121-KTT) [T1] |
| 61 | 0CBUDC0232AK/ | AF | N | B | Thermistor(KL07L8R2TB) [TH1] |
| 62 | 0CBUEZ0507ZZ/ | AD | | B | Varistor(ERZV07D471-CS) [V1] |
| 63 | 0CBUFBA471DB/ | AD | | B | Variable resistor(EVNDJAA03BQ2(471)) [VR1] |
| 64 | 0CBUBDBE270D/ | AD | N | B | Zener diode(RD27ESAB3) [ZD1] |
| 65 | 0CBUBDBE2R0C/ | AD | N | B | Zener diode(RD2.0ESAB2) [ZD2] |

Index

| PARTS CODE | No. | PRICE RANK | NEW MARK | PART RANK |
|---------------|-------|------------|----------|-----------|
| [C] | | | | |
| CCNW-202AFF01 | 1-9 | | N | C |
| CGERH2444XHY1 | 1-10 | AF | N | C |
| CGERH2459XH01 | 5-1 | AM | N | C |
| CLEVP2298XH01 | 5-2 | AC | N | C |
| CLEVP2299XH01 | 5-6 | AC | N | C |
| CLEVP2300XH01 | 5-7 | AC | N | C |
| CLEVP2303XH01 | 5-9 | AC | N | C |
| CPLTP3002XHB1 | 6-5 | AK | N | E |
| CROLR2407XH01 | 2-10 | AN | N | C |
| [D] | | | | |
| DCEKC284LFFHS | 1-44 | | N | E |
| " | 7-901 | | N | E |
| DCEKC386LFFHS | 1-44 | | N | E |
| " | 7-901 | | N | E |
| DCEKC482LFFHS | 1-44 | | N | E |
| " | 7-901 | | N | E |
| DCEKL459BFF01 | 1-45 | | N | E |
| " | 8-901 | | N | E |
| DCEKP450BXHG1 | 3-7 | | N | E |
| DCEKP450BXHG2 | 3-7 | | N | E |
| DCEKP478BFF05 | 1-1 | | N | E |
| " | 3-901 | | N | E |
| DCEKP478BFF06 | 1-1 | | N | E |
| " | 3-901 | | N | E |
| DCEKP478BFF10 | 1-1 | | N | E |
| " | 3-901 | | N | E |
| DUNTK419BFFBG | 6-19 | | N | E |
| DUNTK419BFFWH | 6-19 | | N | E |
| [G] | | | | |
| GCABA2324XHSJ | 3-1 | | N | D |
| GCABA2324XHSP | 3-1 | | N | D |
| GCABA2324XHSQ | 3-1 | | N | D |
| GCABB2325FFSC | 1-14 | | N | D |
| GCABB2325FFSE | 1-14 | | N | D |
| GCOVA2403XHSA | 2-1 | AL | N | C |
| GCOVA2403XHSC | 2-1 | AN | N | C |
| GLEGG2063FFZZ | 1-86 | | | C |
| [H] | | | | |
| HPNLH2389XHSJ | 1-85 | AV | N | D |
| HPNLH2389XHSM | 1-85 | AB | N | D |
| HPNLH2389XHSN | 1-85 | AV | N | D |
| [J] | | | | |
| JBTN-2242XHSA | 3-2 | AG | N | C |
| JBTN-2242XHSC | 3-2 | AG | N | C |
| JBTN-2243XHSC | 3-3 | AD | N | C |
| JBTN-2244XHSA | 3-4 | AD | N | C |
| JBTN-2245XHSA | 3-5 | AD | N | C |
| JBTN-2246XHSA | 3-6 | AD | N | C |
| JBTN-2246XHSC | 3-6 | AD | N | C |
| JBTN-2252XHSA | 3-3 | AE | N | C |
| JKNBP2091XHZZ | 2-2 | AC | N | C |
| [L] | | | | |
| LANGF2817XHFW | 1-15 | AF | N | C |
| LBSHP2088AXZZ | 1-16 | AC | | C |
| LBSHP2104XHZZ | 2-13 | AC | N | C |
| LBSHP2105XHZZ | 2-14 | AC | N | C |
| LFRM-2198XHZZ | 1-31 | AK | N | C |
| LFRM-2199XHZZ | 2-15 | AK | N | C |
| LFRM-2200XHZZ | 5-11 | AB | N | C |
| LPLTG2911XHZZ | 4-1 | AE | | C |
| LPLTM2994XHFW | 5-12 | AE | N | C |
| LPLTM2995XHFW | 1-46 | AS | N | C |
| LPLTP2908XHZZ | 4-2 | AE | | C |
| LPLTP2997XHZZ | 2-25 | AD | N | C |
| LPLTP2998XHZZ | 2-26 | AF | N | C |
| LPLTP3001XHSA | 2-27 | AH | N | C |
| LPLTP3001XHSC | 2-27 | AF | N | C |
| LPLTP3003XHSA | 6-7 | AH | N | C |
| LX-BZ2138XHZZ | 2-86 | AB | | C |
| [M] | | | | |
| MCAMP2025XHZZ | 5-13 | AB | N | C |
| MCAMP2026XHZZ | 5-14 | AB | N | C |
| MLEVP2290XHZZ | 1-17 | AC | N | C |
| MLEVP2291XHZZ | 2-16 | AD | N | C |
| MLEVP2292XHZZ | 1-18 | AD | N | C |
| MLEVP2293XHZZ | 2-17 | AD | N | C |
| MLEVP2294XHZZ | 1-19 | AD | N | C |
| MLEVP2295XHZZ | 1-20 | AD | N | C |
| MLEVP2296XHZZ | 1-21 | AD | N | C |

| PARTS CODE | No. | PRICE RANK | NEW MARK | PART RANK |
|---------------|------|------------|----------|-----------|
| MLEVP2297XHZZ | 1-4 | AC | N | C |
| MLEVP2301XHZZ | 5-15 | AB | N | C |
| MLEVP2302XHZZ | 1-84 | AC | N | C |
| MSPRC2832XHZZ | 2-3 | AC | | C |
| MSPRC3057XHfJ | 1-47 | AC | N | C |
| MSPRC3059XHfJ | 1-33 | AC | N | C |
| MSPRC3061XHfJ | 1-35 | AB | N | C |
| MSPRC3062XHfJ | 2-28 | AB | N | C |
| MSPRC3063XHfJ | 2-29 | AC | N | C |
| MSPRC3064XHfJ | 2-18 | AC | N | C |
| MSPRC3071XHfJ | 4-4 | AB | N | C |
| MSPRC3102XHfJ | 1-34 | AC | N | C |
| MSPRC3103XHfJ | 1-32 | AC | N | C |
| MSPRD3065XHfJ | 2-7 | AB | N | C |
| MSPRD3070XHfJ | 5-16 | AB | N | C |
| MSPRD3073XHfJ | 1-23 | AB | N | C |
| MSPRD3082XHfJ | 1-22 | AC | N | C |
| MSPRD3104XHfJ | 1-92 | AC | N | C |
| MSPRD3105XHfJ | 2-34 | AC | N | C |
| MSPRP3054XHfJ | 1-24 | AD | N | C |
| MSPRP3055XHfJ | 1-25 | AD | N | C |
| MSPRP3079XHfJ | 4-5 | AE | N | C |
| MSPRT2951XHZZ | 4-6 | AC | | C |
| MSPRT3069XHfJ | 1-5 | AB | N | C |
| [N] | | | | |
| NBRGP2141XHZZ | 4-7 | AH | | C |
| NGERH2280XHZZ | 5-17 | AC | | C |
| NGERH2311XHZZ | 5-18 | AD | | C |
| NGERH2441XHZZ | 2-19 | AC | N | C |
| NGERH2442XHZZ | 2-20 | AC | N | C |
| NGERH2445XHZZ | 1-26 | AB | N | C |
| " | 4-8 | AB | N | C |
| NGERH2446XHZZ | 5-19 | AB | N | C |
| NGERH2447XHZZ | 5-20 | AB | N | C |
| NGERH2448XHZZ | 5-21 | AB | N | C |
| NGERH2449XHZZ | 5-22 | AB | N | C |
| NGERH2450XHZZ | 5-23 | AB | N | C |
| NGERH2451XHZZ | 5-24 | AB | N | C |
| NGERH2452XHZZ | 5-25 | AB | N | C |
| NGERH2454XHZZ | 5-26 | AB | N | C |
| NGERH2455XHZZ | 6-15 | AD | N | C |
| NGERH2456XHZZ | 6-16 | AC | N | C |
| NGERH2460XHZZ | 2-21 | AC | N | C |
| NGERH2461XHZZ | 5-27 | AB | N | C |
| NGERP2318XHZZ | 2-4 | AD | | C |
| NROLP2332XHZZ | 2-8 | AD | | C |
| NROLP2334XHZA | 4-9 | AC | | C |
| NROLP2406XHZZ | 4-10 | AD | N | C |
| NROLR2375XHZZ | 1-6 | AL | | C |
| NROLR2408XHZZ | 2-11 | AD | N | C |
| NROLR2409XHZZ | 2-22 | AW | N | C |
| NROLR2410XHZZ | 1-27 | AP | N | C |
| NROLR2411XHZZ | 4-11 | AV | N | C |
| NSFTM2311XHZZ | 1-28 | AG | N | C |
| " | 2-23 | AG | N | C |
| NSFTP2302XHZZ | 1-7 | AD | N | C |
| NSFTP2304XHZZ | 2-24 | AD | N | C |
| NSFTZ2257XHZZ | 4-12 | AG | | C |
| [P] | | | | |
| PCOVP2122XHZZ | 1-48 | AK | N | C |
| PCUSS2120XHZZ | 1-89 | AB | N | C |
| PGIDM2529XHZZ | 1-40 | AD | N | C |
| PGIDM2530XHZZ | 1-41 | AD | N | C |
| PGIDM2531XHZZ | 1-36 | AD | N | C |
| PGIDM2532XHZZ | 1-37 | AD | N | C |
| PGIDM2533XHSA | 2-5 | AD | N | C |
| PGIDM2533XHSC | 2-5 | AD | N | C |
| PGIDM2534XHSA | 2-6 | AD | N | C |
| PGIDM2534XHSC | 2-6 | AD | N | C |
| PGIDM2535XHSA | 2-35 | AC | N | C |
| PGIDM2535XHSC | 2-35 | AC | N | C |
| PGIDM2536FFZZ | 4-13 | | N | C |
| PGIDM2537XHZZ | 2-9 | AF | N | C |
| PGIDM2538XHZZ | 1-8 | AM | N | C |
| PGUMR2160XHZZ | 2-12 | AE | N | C |
| PHOP-2101XHSA | 2-33 | AK | N | C |
| PHOP-2101XHSC | 2-33 | AH | N | C |
| PHOP-2102XHZZ | 6-8 | AE | N | C |
| PRBNN2015SCZZ | 6-17 | AQ | | S |
| PSEL-2015SCZZ | 2-30 | AB | | C |

| PARTS CODE | No. | PRICE RANK | NEW MARK | PART RANK |
|---------------|-------|------------|----------|-----------|
| PSHEZ3293XHZZ | 2-31 | AH | N | C |
| PSHEZ3410FFZZ | 1-87 | | N | C |
| PSHEZ3425XHZZ | 1-97 | AL | N | C |
| PSHEZ3428XHZZ | 1-29 | AE | N | C |
| PSHEZ3429XHZZ | 1-90 | AD | N | C |
| PSHEZ3431XHZZ | 2-32 | AC | N | C |
| PSHEZ3432XHZZ | 1-95 | AE | N | C |
| PSHEZ3436XHZZ | 1-100 | AC | N | C |
| [Q] | | | | |
| QACCB2014FFZZ | 1-49 | | | B |
| QCNCM2401SC0B | 7-138 | AA | | C |
| QCNCM2442SC0B | 7-132 | AB | | C |
| QCNCM2575SC0F | 7-134 | AE | N | C |
| QCNCM2575SC0I | 7-137 | AF | N | C |
| QCNCM2575SC1B | 7-133 | | N | C |
| QCNCM7014SC0F | 7-135 | AB | | C |
| QCNCM7014SC0G | 7-131 | AB | | C |
| QCNCM7014SC1E | 7-136 | AC | | C |
| QCNCM7014SC1F | 7-139 | AD | | C |
| QCNCW2509SC0F | 8-48 | AD | N | C |
| QCNCW2509SC1B | 8-47 | | N | C |
| QCNW-3624FF15 | 8-180 | | N | C |
| QCNW-3976XHBG | 6-14 | AK | N | C |
| QCNW-3976XHOW | 6-14 | AK | | C |
| QCNW-4266FFZZ | 6-26 | AF | | C |
| QCNW-4650FFZZ | 6-13 | | | C |
| QCNW-4850XHZZ | 1-42 | AG | | C |
| QCNW-4933XHZZ | 5-28 | AC | N | C |
| QCNW-4935XHZZ | 1-2 | AN | N | C |
| " | 3-8 | AN | N | C |
| QCNW-4936XHZZ | 1-38 | AN | N | C |
| QCNW-4971XHZZ | 1-50 | AD | N | C |
| QJAKZ2069SCDD | 8-49 | | N | C |
| QJAKZ2070SCDD | 8-46 | AF | | C |
| QSOCZ0115SC32 | 7-148 | AC | N | C |
| QSW-F2224SCZZ | 5-29 | AE | | B |
| QSW-M2259XHZZ | 7-301 | AF | | B |
| QSW-S1359CCZZ | 8-162 | AD | | B |
| QSW-Z2264XHZZ | 8-163 | | | B |
| [R] | | | | |
| RC-EZ476NSC1A | 8-7 | AB | | C |
| RC-FZ2012SCZZ | 8-6 | AE | | C |
| RCILZ2104SCZZ | 7-162 | AK | | C |
| RCILZ2144SCZZ | 8-109 | | N | C |
| " | 8-111 | | N | C |
| RCILZ2145XHZZ | 7-160 | AF | | C |
| " | 7-161 | AF | | C |
| " | 7-163 | AF | | C |
| " | 7-164 | AF | | C |
| RCORF2063XHZZ | 1-98 | AF | | B |
| RCORF2064XHZZ | 1-51 | AF | | B |
| RCORF2103XHZZ | 1-103 | AF | | B |
| RCRSBO297AFZZ | 7-304 | AD | | B |
| RCRSB2122SCZZ | 7-303 | AH | | B |
| RCRSQ1005LCZZ | 7-302 | AE | | B |
| RDENT2137XHZZ | 1-88 | BL | N | E |
| " | 9-901 | BL | N | E |
| RFILN2027XHZZ | 8-62 | AC | | C |
| " | 8-63 | AC | | C |
| " | 8-64 | AC | | C |
| " | 8-65 | AC | | C |
| " | 8-66 | AC | | C |
| " | 8-67 | AC | | C |
| " | 8-68 | AC | | C |
| " | 8-69 | AC | | C |
| RH-IX2129SCZZ | 7-145 | AY | | B |
| RHEDZ2058XHZZ | 1-39 | BR | N | B |
| RMOTZ2145XHZZ | 5-30 | BA | N | B |
| RR-TZ3012SCJ0 | 7-297 | AB | N | C |
| " | 7-299 | AB | N | C |
| RR-TZ3017SCZZ | 7-286 | AC | N | C |
| " | 7-288 | AC | N | C |
| " | 7-289 | AC | N | C |
| " | 7-290 | AC | N | C |
| " | 7-291 | AC | N | C |
| " | 7-293 | AC | N | C |
| " | 7-294 | AC | N | C |
| " | 7-295 | AC | N | C |
| " | 7-296 | AC | N | C |
| RR-TZ3018SCZZ | 7-287 | AC | N | C |

| PARTS CODE | No. | PRICE RANK | NEW MARK | PART RANK |
|---------------|-------|------------|----------|-----------|
| RR-TZ3018SCZZ | 7-292 | AC | N | C |
| " | 7-298 | AC | N | C |
| RRLYD3130SCZZ | 7-300 | AN | | B |
| RRLY23427SCZZ | 8-45 | AN | | B |
| RTRN2142XHZZ | 8-164 | AR | | B |
| RTRNZ2140XHZZ | 8-165 | AN | | B |
| RUNTZ2037XHZZ | 1-43 | BL | N | B |
| [S] | | | | |
| SPAKA480AFFZZ | 6-12 | | N | D |
| SPAKA481AFFZZ | 6-11 | | N | D |
| SPAKA489AFFZZ | 6-10 | | N | D |
| SPAKA490AFFZZ | 6-9 | | N | D |
| SPAKC031BFFZZ | 6-1 | | N | D |
| SPAKC524AFFZZ | 6-1 | | N | D |
| SPAKC526AFFZZ | 6-1 | | N | D |
| SPAKP3385FFZZ | 6-18 | | | D |
| [T] | | | | |
| TCADZ2838FFZZ | 6-23 | | N | D |
| TCADZ2839FFZZ | 6-21 | | N | D |
| TINSE3947FFZZ | 6-3 | | N | D |
| TINSE3953FFZZ | 6-3 | | N | D |
| TINSE3961FFZZ | 6-3 | | N | D |
| TLABH3062FFZZ | 1-99 | | | D |
| TLABH4751FFZZ | 6-4 | | N | D |
| TLABH4752XHZZ | 6-6 | AB | N | D |
| TLABH4811FFZZ | 6-4 | | N | D |
| TLABM243AFFZZ | 6-22 | | N | D |
| TLABM4881FFZZ | 6-2 | | N | D |
| TLABM4882FFZZ | 6-22 | | N | D |
| TLABM4890FFZZ | 6-2 | | N | D |
| TLABM4892FFZZ | 6-22 | | N | D |
| TLABM4914FFZZ | 6-2 | | N | D |
| TLABZ2549FFZZ | 6-24 | AB | | D |
| TLABZ3077FFZZ | 6-20 | AB | | D |
| TLABZ4401FFZZ | 1-102 | | N | D |
| [U] | | | | |
| UBATL2049SCZZ | 7-1 | AF | | B |
| [V] | | | | |
| VCCCTV1HH101J | 7-90 | AA | | C |
| " | 7-91 | AA | | C |
| " | 7-94 | AA | | C |
| " | 7-96 | AA | | C |
| " | 7-98 | AA | | C |
| " | 7-100 | AA | | C |
| " | 7-121 | AA | | C |
| " | 7-122 | AA | | C |
| " | 7-123 | AA | | C |
| " | 7-124 | AA | | C |
| " | 7-128 | AA | | C |
| VCCCTV1HH150J | 7-21 | AA | | C |
| " | 7-24 | AA | | C |
| " | 7-35 | AA | | C |
| VCCCTV1HH180J | 7-29 | AA | | C |
| VCCCTV1HH220J | 7-70 | AA | | C |
| " | 7-87 | AA | | C |
| VCCCTV1HH680J | 7-22 | AA | | C |
| " | 7-23 | AA | | C |
| " | 7-33 | AA | | C |
| " | 7-38 | AA | | C |
| " | 7-39 | AA | | C |
| " | 7-48 | AA | | C |
| " | 7-51 | AA | | C |
| " | 7-52 | AA | | C |
| " | 7-58 | AA | | C |
| " | 7-73 | AA | | C |
| " | 7-74 | AA | | C |
| " | 7-75 | AA | | C |
| " | 7-76 | AA | | C |
| " | 7-88 | AA | | C |
| " | 7-89 | AA | | C |
| " | 7-92 | AA | | C |
| " | 7-93 | AA | | C |
| " | 7-103 | AA | | C |
| " | 7-113 | AA | | C |
| " | 7-114 | AA | | C |
| " | 7-115 | AA | | C |
| VCCSTV1HL102J | 7-84 | AA | | C |
| VCCSTV1HL391J | 7-32 | AA | | C |
| VCEAEA1EW476M | 8-12 | AB | | C |
| VCEAEA1HW106M | 8-13 | AA | | C |

| PARTS CODE | No. | PRICE RANK | NEW MARK | PART RANK |
|---------------|-------|------------|----------|-----------|
| VCEAEA1HW106M | 8-14 | AA | | C |
| VCEAEA1HW226M | 8-11 | AB | | C |
| VCEAGA1EW476M | 7-2 | AA | | C |
| " | 7-4 | AA | | C |
| " | 7-9 | AA | | C |
| " | 8-4 | AA | | C |
| " | 8-10 | AA | | C |
| VCEAGA1HW105M | 7-3 | AB | | C |
| VCEAGA1HW106M | 7-5 | AA | | C |
| " | 7-6 | AA | | C |
| " | 8-8 | AA | | C |
| VCEAGA1HW107M | 7-8 | AA | | C |
| VCEAGA1HW226M | 7-7 | AB | | C |
| VCEAGA1HW334M | 8-5 | AC | | C |
| VCEAGA1HW335M | 8-9 | AB | | C |
| VCKYPU1HB102K | 8-15 | AA | | C |
| VCKYTQ1EB104K | 8-18 | AA | | C |
| VCKYTQ1EB224K | 8-17 | AB | | C |
| VCKYTQ1HB103K | 8-25 | AA | | C |
| VCKYTQ1HB223K | 8-28 | AB | | C |
| VCKYTQ1HB473K | 8-16 | AA | | C |
| VCKYTQ1HB563K | 8-21 | AA | | C |
| VCKYTQ1HF104Z | 7-85 | AA | | C |
| " | 7-101 | AA | | C |
| VCKYTV1CF105Z | 7-10 | AB | | C |
| " | 7-25 | AB | | C |
| " | 7-30 | AB | | C |
| " | 7-36 | AB | | C |
| " | 7-41 | AB | | C |
| " | 7-42 | AB | | C |
| " | 7-47 | AB | | C |
| " | 7-49 | AB | | C |
| " | 7-54 | AB | | C |
| " | 7-55 | AB | | C |
| " | 7-56 | AB | | C |
| " | 7-57 | AB | | C |
| " | 7-64 | AB | | C |
| " | 7-66 | AB | | C |
| " | 7-67 | AB | | C |
| " | 7-68 | AB | | C |
| " | 7-71 | AB | | C |
| " | 7-72 | AB | | C |
| " | 7-77 | AB | | C |
| " | 7-80 | AB | | C |
| " | 7-81 | AB | | C |
| " | 7-86 | AB | | C |
| " | 7-99 | AB | | C |
| VCKYTV1EB104K | 7-40 | AA | | C |
| " | 7-60 | AA | | C |
| " | 7-97 | AA | | C |
| " | 8-29 | AA | | C |
| " | 8-32 | AA | | C |
| " | 8-34 | AA | | C |
| VCKYTV1EF104Z | 7-11 | AA | | C |
| " | 7-15 | AA | | C |
| " | 7-16 | AA | | C |
| " | 7-17 | AA | | C |
| " | 7-26 | AA | | C |
| " | 7-46 | AA | | C |
| " | 7-53 | AA | | C |
| " | 7-65 | AA | | C |
| " | 7-79 | AA | | C |
| " | 7-102 | AA | | C |
| " | 7-117 | AA | | C |
| " | 7-118 | AA | | C |
| " | 7-129 | AA | | C |
| " | 7-130 | AA | | C |
| " | 8-22 | AA | | C |
| " | 8-27 | AA | | C |
| " | 8-30 | AA | | C |
| " | 8-36 | AA | | C |
| VCKYTV1HB102K | 7-13 | AA | | C |
| " | 7-34 | AA | | C |
| " | 7-43 | AA | | C |
| " | 7-44 | AA | | C |
| " | 7-45 | AA | | C |
| " | 7-50 | AA | | C |
| " | 7-59 | AA | | C |
| " | 7-78 | AA | | C |
| " | 7-104 | AA | | C |

| PARTS CODE | No. | PRICE RANK | NEW MARK | PART RANK |
|----------------|-------|------------|----------|-----------|
| VCKYTV1HB102K | 7-105 | AA | | C |
| " | 7-106 | AA | | C |
| " | 7-107 | AA | | C |
| " | 7-108 | AA | | C |
| " | 7-109 | AA | | C |
| " | 7-110 | AA | | C |
| " | 7-111 | AA | | C |
| " | 7-112 | AA | | C |
| " | 7-119 | AA | | C |
| " | 7-120 | AA | | C |
| " | 7-125 | AA | | C |
| " | 7-126 | AA | | C |
| " | 7-127 | AA | | C |
| " | 7-207 | AA | | C |
| " | 7-210 | AA | | C |
| " | 8-19 | AA | | C |
| " | 8-31 | AA | | C |
| " | 8-37 | AA | | C |
| VCKYTV1HB103K | 7-31 | AB | | C |
| " | 7-63 | AB | | C |
| " | 8-20 | AB | | C |
| " | 8-38 | AB | | C |
| " | 8-40 | AB | | C |
| " | 8-41 | AB | | C |
| " | 8-42 | AB | | C |
| " | 8-43 | AB | | C |
| VCKYTV1HB221K | 7-61 | AA | | C |
| " | 8-26 | AA | | C |
| VCKYTV1HB222K | 7-12 | AA | | C |
| " | 7-14 | AA | | C |
| " | 7-18 | AA | | C |
| " | 7-19 | AA | | C |
| " | 7-20 | AA | | C |
| " | 7-27 | AA | | C |
| " | 7-28 | AA | | C |
| " | 7-37 | AA | | C |
| " | 7-69 | AA | | C |
| VCKYTV1HB272K | 8-23 | AA | | C |
| VCKYTV1HB331K | 8-33 | AA | | C |
| VCKYTV1HB472K | 7-62 | AA | | C |
| " | 8-24 | AA | | C |
| VCKYTV1HB681K | 7-82 | AA | | C |
| VCKYTV1HB822K | 8-39 | AA | | C |
| VCKYTV1HF223Z | 8-35 | AA | | C |
| " | 8-44 | AA | | C |
| VCQYNA1HM474K | 8-3 | AE | | C |
| VHDDSS131//1 | 8-50 | AA | | B |
| VHDDSS133//1 | 8-52 | AA | | B |
| VHDRB705D//1 | 7-141 | AD | | B |
| VHD0R5G4B42-1S | 8-161 | AF | | B |
| VHD1S355//1 | 7-142 | AB | | B |
| " | 7-143 | AB | | B |
| VHD1S82//1 | 8-51 | AB | | B |
| VHEHZS3B1//1 | 8-170 | AC | | B |
| " | 8-171 | AC | | B |
| VHEHZ2A1//1 | 8-176 | AC | | B |
| " | 8-177 | AC | | B |
| " | 8-178 | AC | | B |
| " | 8-179 | AC | | B |
| VHEMPZP4748A1 | 7-140 | AB | | B |
| VHEMTZJ100B-1 | 8-173 | AC | | B |
| VHEMTZJ3R0B-1 | 8-172 | AC | | B |
| VHEMTZJ3R9B-1 | 8-174 | AC | N | B |
| " | 8-175 | AC | N | B |
| VHEMTZJ300B-1 | 8-168 | AA | | B |
| VHEMTZJ5R6B-1 | 8-167 | AB | | B |
| VHE12C15//1 | 8-169 | AC | | B |
| VHIHCF4053M1T | 7-156 | AG | | B |
| VHIMC34119DR2 | 7-155 | AH | | B |
| VHINJM2902M-1 | 7-157 | AF | | B |
| VHINJM2904M-2 | 8-54 | AG | | B |
| " | 8-55 | AG | | B |
| VHIPST596CMT1 | 7-153 | AF | | B |
| VHIR96CIDFC1M | 7-151 | BN | N | B |
| " | 7-154 | BN | N | B |
| VHITC74HCU04F | 7-152 | AE | N | B |
| VHITEA1062A-1 | 8-53 | AR | | B |
| VHIULN2003AN/ | 7-150 | AE | | B |
| VHIW24010S7LE | 7-146 | AZ | N | B |
| VHIW24258S7LE | 7-147 | AQ | N | B |

| PARTS CODE | No. | PRICE RANK | NEW MARK | PART RANK |
|---------------|-------|------------|----------|-----------|
| VHI27020FKU0E | 7-148 | | N | B |
| VHI27020FNK0A | 7-148 | | N | B |
| VHI27020FMT0A | 7-148 | | N | B |
| VHPSG206S//-1 | 7-167 | AG | | B |
| " | 8-78 | AG | | B |
| " | 8-79 | AG | | B |
| VHPTLP521-1BL | 8-70 | AE | | B |
| " | 8-73 | AE | | B |
| " | 8-74 | AE | | B |
| " | 8-75 | AE | | B |
| " | 8-76 | AE | | B |
| " | 8-77 | AE | | B |
| VHPTLP620//-1 | 8-71 | AF | | B |
| VHPTLP627//-1 | 8-72 | AH | | B |
| VHVICPS07//-1 | 7-144 | AA | | B |
| VHVRA501PV6-1 | 8-1 | AE | | B |
| " | 8-2 | AE | | B |
| VHVTN07G101-1 | 8-166 | AB | | B |
| VRD-HT2HY101J | 8-96 | AA | | C |
| VRD-HT2HY114J | 8-94 | AB | | C |
| VRD-HT2HY200J | 8-93 | AA | | C |
| VRS-HT3AA103J | 8-95 | AA | | C |
| VRS-HT3AA560J | 8-92 | AA | | C |
| VRS-TP2BD000J | 8-57 | AA | | C |
| " | 8-58 | AA | | C |
| VRS-TS2AD000J | 7-83 | AA | | C |
| " | 7-95 | AA | | C |
| " | 7-159 | AA | | C |
| " | 7-165 | AA | | C |
| " | 7-166 | AA | | C |
| " | 7-177 | AA | | C |
| " | 7-179 | AA | | C |
| " | 7-180 | AA | | C |
| " | 7-181 | AA | | C |
| " | 7-206 | AA | | C |
| " | 7-209 | AA | | C |
| " | 7-247 | AA | | C |
| " | 7-258 | AA | | C |
| " | 7-259 | AA | | C |
| " | 7-262 | AA | | C |
| " | 7-279 | AA | | C |
| " | 7-281 | AA | | C |
| " | 7-283 | AA | | C |
| " | 8-56 | AA | | C |
| " | 8-59 | AA | | C |
| " | 8-60 | AA | | C |
| " | 8-61 | AA | | C |
| " | 8-100 | AA | | C |
| " | 8-104 | AA | | C |
| " | 8-105 | AA | | C |
| " | 8-108 | AA | | C |
| " | 8-114 | AA | | C |
| " | 8-115 | AA | | C |
| " | 8-124 | AA | | C |
| " | 8-130 | AA | | C |
| " | 8-158 | AA | | C |
| VRS-TS2AD100J | 8-160 | AA | | C |
| VRS-TS2AD101J | 7-214 | AA | | C |
| " | 7-215 | AA | | C |
| " | 7-232 | AA | | C |
| " | 7-253 | AA | | C |
| " | 7-255 | AA | | C |
| " | 7-256 | AA | | C |
| " | 7-282 | AA | | C |
| VRS-TS2AD102J | 7-222 | AA | | C |
| " | 7-237 | AA | | C |
| " | 7-243 | AA | | C |
| " | 7-257 | AA | | C |
| " | 7-261 | AA | | C |
| " | 8-106 | AA | | C |
| " | 8-156 | AA | | C |
| " | 8-159 | AA | | C |
| VRS-TS2AD103J | 7-174 | AA | | C |
| " | 7-185 | AA | | C |
| " | 7-202 | AA | | C |
| " | 7-217 | AA | | C |
| " | 7-219 | AA | | C |
| " | 7-231 | AA | | C |
| " | 7-235 | AA | | C |
| " | 7-254 | AA | | C |

| PARTS CODE | No. | PRICE RANK | NEW MARK | PART RANK |
|---------------|-------|------------|----------|-----------|
| VRS-TS2AD103J | 7-276 | AA | | C |
| " | 7-285 | AA | | C |
| " | 8-136 | AA | | C |
| VRS-TS2AD104J | 7-189 | AA | | C |
| " | 7-240 | AA | | C |
| " | 8-97 | AA | | C |
| " | 8-121 | AA | | C |
| " | 8-122 | AA | | C |
| " | 8-127 | AA | | C |
| " | 8-144 | AA | | C |
| " | 8-157 | AA | | C |
| VRS-TS2AD105J | 7-193 | AA | | C |
| VRS-TS2AD106J | 7-269 | AA | | C |
| VRS-TS2AD121J | 7-158 | AA | | C |
| " | 7-196 | AA | | C |
| " | 7-270 | AA | | C |
| VRS-TS2AD122J | 8-155 | AA | | C |
| VRS-TS2AD123J | 8-152 | AA | | C |
| VRS-TS2AD124J | 8-116 | AA | | C |
| VRS-TS2AD131J | 8-149 | AA | | C |
| VRS-TS2AD134J | 8-99 | AA | | C |
| " | 8-143 | AA | | C |
| VRS-TS2AD151J | 7-199 | AA | | C |
| " | 7-200 | AA | | C |
| " | 7-203 | AA | | C |
| " | 7-211 | AA | | C |
| " | 7-213 | AA | | C |
| VRS-TS2AD153J | 8-120 | AA | | C |
| VRS-TS2AD154J | 8-126 | AA | | C |
| VRS-TS2AD162J | 8-107 | AA | | C |
| " | 8-129 | AA | | C |
| VRS-TS2AD201J | 7-195 | AG | | C |
| VRS-TS2AD202J | 8-134 | AA | | C |
| VRS-TS2AD203J | 7-233 | AA | | C |
| " | 7-242 | AA | | C |
| " | 7-244 | AA | | C |
| " | 7-266 | AA | | C |
| " | 7-272 | AA | | C |
| " | 7-273 | AA | | C |
| " | 8-128 | AA | | C |
| " | 8-132 | AA | | C |
| " | 8-133 | AA | | C |
| " | 8-135 | AA | | C |
| " | 8-137 | AA | | C |
| " | 8-142 | AA | | C |
| " | 8-145 | AA | | C |
| " | 8-147 | AA | | C |
| VRS-TS2AD221J | 7-278 | AA | | C |
| VRS-TS2AD223J | 7-182 | AA | | C |
| " | 7-223 | AA | | C |
| VRS-TS2AD224J | 7-241 | AA | | C |
| " | 7-268 | AA | | C |
| " | 8-110 | AA | | C |
| VRS-TS2AD241J | 8-141 | AA | | C |
| VRS-TS2AD271J | 7-175 | AA | | C |
| " | 7-178 | AA | | C |
| " | 7-183 | AA | | C |
| " | 7-184 | AA | | C |
| " | 7-191 | AA | | C |
| " | 7-192 | AA | | C |
| " | 7-198 | AA | | C |
| " | 7-205 | AA | | C |
| " | 7-220 | AA | | C |
| " | 7-221 | AA | | C |
| " | 7-284 | AA | | C |
| VRS-TS2AD3R0J | 7-224 | AA | | C |
| VRS-TS2AD302J | 7-239 | AA | | C |
| " | 7-277 | AA | | C |
| VRS-TS2AD303J | 7-188 | AA | | C |
| " | 7-190 | AA | | C |
| " | 7-218 | AA | | C |
| " | 7-226 | AA | | C |
| " | 7-228 | AA | | C |
| " | 7-229 | AA | | C |
| " | 7-236 | AA | | C |
| " | 7-251 | AA | | C |
| " | 7-252 | AA | | C |
| " | 7-280 | AA | | C |
| VRS-TS2AD332J | 7-225 | AA | | C |
| " | 7-275 | AA | | C |

| PARTS CODE | No. | PRICE RANK | NEW MARK | PART RANK |
|---------------|-------|------------|----------|-----------|
| VRS-TS2AD332J | 8-117 | AA | | C |
| " | 8-150 | AA | | C |
| " | 8-151 | AA | | C |
| VRS-TS2AD333J | 7-197 | AA | | C |
| " | 7-245 | AA | | C |
| " | 7-246 | AA | | C |
| " | 7-267 | AA | | C |
| VRS-TS2AD392J | 8-98 | AA | | C |
| VRS-TS2AD393J | 7-186 | AA | | C |
| " | 7-187 | AA | | C |
| VRS-TS2AD433J | 8-140 | AA | | C |
| VRS-TS2AD471J | 7-212 | AA | | C |
| " | 7-216 | AA | | C |
| " | 7-227 | AA | | C |
| " | 7-230 | AA | | C |
| " | 7-238 | AA | | C |
| " | 7-248 | AA | | C |
| " | 7-249 | AA | | C |
| " | 7-250 | AA | | C |
| " | 8-101 | AA | | C |
| " | 8-131 | AA | | C |
| " | 8-139 | AA | | C |
| " | 8-146 | AA | | C |
| " | 8-148 | AA | | C |
| VRS-TS2AD472J | 7-194 | AA | | C |
| " | 8-113 | AA | | C |
| VRS-TS2AD474J | 7-234 | AA | | C |
| VRS-TS2AD512J | 7-176 | AA | | C |
| " | 7-265 | AA | | C |
| VRS-TS2AD562J | 7-204 | AA | | C |
| VRS-TS2AD623J | 8-125 | AA | | C |
| VRS-TS2AD680J | 7-201 | AA | | C |
| VRS-TS2AD681J | 8-102 | AA | | C |
| VRS-TS2AD682J | 8-103 | AA | | C |
| VRS-TS2AD683J | 8-118 | AA | | C |
| " | 8-119 | AA | | C |
| " | 8-138 | AA | | C |
| VRS-TS2AD753J | 8-123 | AA | | C |
| VRS-TS2AD820J | 8-154 | AA | | C |
| VRS-TS2AD910J | 8-112 | AA | | C |
| VRSTS2AD1183F | 7-260 | AA | | C |
| " | 7-271 | AA | | C |
| VRSTS2AD1742F | 7-263 | AA | | C |
| VRSTS2AD3651F | 8-153 | AA | | C |
| VRSTS2AD4752F | 7-208 | AA | | C |
| VRSTS2AD8662F | 7-264 | AA | | C |
| " | 7-274 | AA | | C |
| VSDTC114EK/-1 | 7-170 | AB | | B |
| " | 7-171 | AB | | B |
| " | 8-85 | AB | | B |
| " | 8-87 | AB | | B |
| " | 8-88 | AB | | B |
| " | 8-89 | AB | | B |
| " | 8-90 | AB | | B |
| " | 8-91 | AB | | B |
| VSDTD114EK/-1 | 7-172 | AC | | B |
| VS2SA1037KR-1 | 8-82 | AB | | B |
| VS2SA1037KS-1 | 7-168 | AB | | B |
| " | 7-173 | AB | | B |
| VS2SA1807-P-1 | 8-80 | AE | | B |
| VS2SC2412KR-1 | 7-169 | AD | | B |
| " | 8-83 | AD | | B |
| " | 8-84 | AD | | B |
| VS2SC4061K/-1 | 8-81 | AC | | B |
| VS2SJ106GR/-1 | 8-86 | AD | | B |
| [X] | | | | |
| XBBSD30P06000 | 1-B3 | AA | | C |
| XBPSD30P06K00 | 1-B8 | AA | | C |
| XBPSN40P06K00 | 1-B4 | AA | | C |
| XEBSD20P06000 | 3-B1 | AA | | C |
| XEBSD30P08000 | 1-B7 | AA | | C |
| XEBSD30P10000 | 1-B2 | AA | | C |
| " | 2-B2 | AA | | C |
| " | 5-B2 | AA | | C |
| XHBSD30P05000 | 1-B5 | AA | | C |
| [0] | | | | |
| 0CBLRZ6562ZN/ | 9-31 | AQ | N | C |
| 0CBLRZ6581ZN/ | 9-30 | AQ | N | C |
| 0CBPJCEJ1601/ | 9-24 | AH | N | A |
| " | 9-25 | AH | N | A |

| PARTS CODE | No. | PRICE RANK | NEW MARK | PART RANK |
|---------------|------|------------|----------|-----------|
| 0CBPKZ0194ZZ/ | 9-16 | AC | | C |
| 0CBPZZ0906ZZ/ | 9-26 | AH | | A |
| 0CBPZZ0931ZZ/ | 9-15 | AH | N | C |
| 0CBUAC0034EZ/ | 9-36 | AE | | B |
| " | 9-37 | AE | | B |
| 0CBUAC0264AZ/ | 9-35 | AD | | B |
| 0CBUAC0284BK/ | 9-38 | AF | N | B |
| " | 9-39 | AF | N | B |
| 0CBUAG0161AC/ | 9-34 | AQ | N | B |
| 0CBUBA0011AL/ | 9-21 | AD | N | B |
| 0CBUBC0125DK/ | 9-17 | AD | N | B |
| " | 9-18 | AD | N | B |
| " | 9-19 | AD | N | B |
| " | 9-20 | AD | N | B |
| 0CBUBC0302BZ/ | 9-23 | AE | | B |
| 0CBUBC0336AZ/ | 9-22 | AL | | B |
| 0CBUBDBE2R0C/ | 9-65 | AD | N | B |
| 0CBUBDBE200D/ | 9-66 | AD | N | B |
| 0CBUBDBE270D/ | 9-64 | AD | N | B |
| 0CBUBDBE6R2C/ | 9-68 | AC | | B |
| 0CBUBDBM300D/ | 9-67 | AC | | B |
| 0CBUCB0167AZ/ | 9-27 | AR | | B |

| PARTS CODE | No. | PRICE RANK | NEW MARK | PART RANK |
|---------------|------|------------|----------|-----------|
| 0CBUDC0163CZ/ | 9-32 | AG | N | B |
| " | 9-33 | AG | N | B |
| 0CBUDC0232AK/ | 9-61 | AF | N | B |
| 0CBUEEB101CT/ | 9-43 | AC | | C |
| 0CBUEEB152CT/ | 9-44 | AC | N | C |
| 0CBUEEB223CT/ | 9-45 | AC | | C |
| 0CBUEEB242CT/ | 9-54 | AC | | C |
| 0CBUEEB330CT/ | 9-46 | AC | N | C |
| 0CBUEEB334CT/ | 9-51 | AC | | C |
| 0CBUEEB390CT/ | 9-50 | AC | N | C |
| 0CBUEEB392CT/ | 9-55 | AC | | C |
| 0CBUEEB471CT/ | 9-48 | AC | | C |
| 0CBUEEB472CT/ | 9-52 | AC | | C |
| " | 9-56 | AC | | C |
| " | 9-57 | AC | | C |
| 0CBUEEB473CT/ | 9-47 | AC | N | C |
| 0CBUEEB682CT/ | 9-53 | AC | | C |
| 0CBUEEB824CF/ | 9-41 | AC | N | C |
| " | 9-42 | AC | N | C |
| 0CBUEEC272CF/ | 9-58 | AC | N | C |
| " | 9-59 | AC | N | C |
| 0CBUEEC335CF/ | 9-40 | AC | N | C |

| PARTS CODE | No. | PRICE RANK | NEW MARK | PART RANK |
|---------------|------|------------|----------|-----------|
| 0CBUEFDR33DB/ | 9-49 | AE | N | C |
| 0CBUEZ0507ZZ/ | 9-62 | AD | | B |
| 0CBUFBA471DB/ | 9-63 | AD | | B |
| 0CBUGAB101RV/ | 9-13 | AF | N | C |
| 0CBUGAE331TS/ | 9-7 | AH | N | C |
| 0CBUGCF104CQ/ | 9-10 | AD | N | C |
| 0CBUGCM332BJ/ | 9-6 | AF | N | C |
| 0CBUGCS101AA/ | 9-11 | AD | N | C |
| 0CBUGFF102BQ/ | 9-14 | AD | N | C |
| 0CBUGFF223JS/ | 9-5 | AC | N | C |
| 0CBUGFF472BQ/ | 9-4 | AC | N | C |
| 0CBUGFF474JA/ | 9-8 | AF | N | C |
| 0CBUGFM104KD/ | 9-12 | AF | N | C |
| 0CBUGFM224KR/ | 9-1 | AF | N | C |
| 0CBUGZ1186ZZ/ | 9-2 | AL | N | C |
| 0CBUGZ1187ZZ/ | 9-3 | AD | N | C |
| 0CBUGZ1188ZZ/ | 9-9 | AK | N | C |
| 0CBUKZ0826ZZ/ | 9-28 | AK | | C |
| 0CBUZZ0156ZZ/ | 9-29 | AN | N | C |
| 0CB829585032/ | 9-60 | BE | N | B |
| | | | | |
| | | | | |



COPYRIGHT © 1999 BY SHARP CORPORATION

ALL RIGHTS RESERVED.

No part of this publication may be reproduced, stored in a retrieval system, or transmitted in any form or by any means, electronic, mechanical, photocopying, recording, or otherwise, without prior written permission of the publisher.

SHARP CORPORATION
Communication Systems Group
Quality & Reliability Control Center
Higashihiroshima, Hiroshima 739-0192, Japan
Printed in Japan

9906-384NS-IS-S